



quup
HEATING SYSTEMS

quup

quup
HEATING SYSTEMS





ALUMINIUM



VIGOR
ALUMINIUM DESIGN
RADIATOR

▶ 12



VIGOR
ALUMINIUM ELECTRICAL
DESIGN RADIATOR

▶ 20



YETI
ALUMINIUM PORTABLE
RADIATOR

▶ 28



PIXEL
ALUMINIYUM DECORATIVE
RADYATÖR

▶ 34



LUCID
ALUMINIUM DECORATIVE
RADIATOR

▶ 40



ODZY
ALUMINIUM DESIGN
RADIATOR

▶ 46



FRAME
ALUMINIUM UNIVERSAL
RADIATOR

▶ 52



RIFLE
ALUMINIUM DESIGN
TOWEL WARMER

▶ 58



RIFLE BASIC
ALUMINIUM ELECTRICAL
TOWEL WARMER

▶ 64



GUARDIAN
ALUMINIUM DESIGN
TOWEL WARMER

▶ 70



VECTOR
ALUMINIUM DECORATIVE
TOWEL WARMER

▶ 76



BOLD
ALUMINIUM DECORATIVE
TOWEL WARMER

▶ 82



SPARK
ALUMINIUM DECORATIVE
TOWEL WARMER

▶ 88

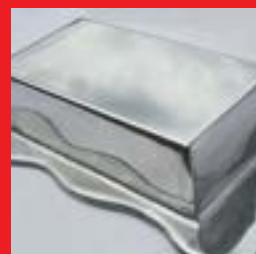
quup

A B O U T ABOUT

Produced by a world leading manufacturer of the highest quality profiles and finishes in the aluminium industry. After years of R&D using the latest technologies, an unparalleled colorization process and spectrum has been achieved expressly for this application.

Strikingly beautiful, safe and highly efficient, these systems are made from aluminium, more than doubling BTU output versus traditional systems.

A revolutionary re-design of water and electrically based heating systems using 21st Century technologies, a new system has been created.



MATERIAL

Many materials are considered when designing a product. When the transfer of heat is the goal; the best material for thermal conductivity is aluminium. QUUP, only pure extruded aluminium.



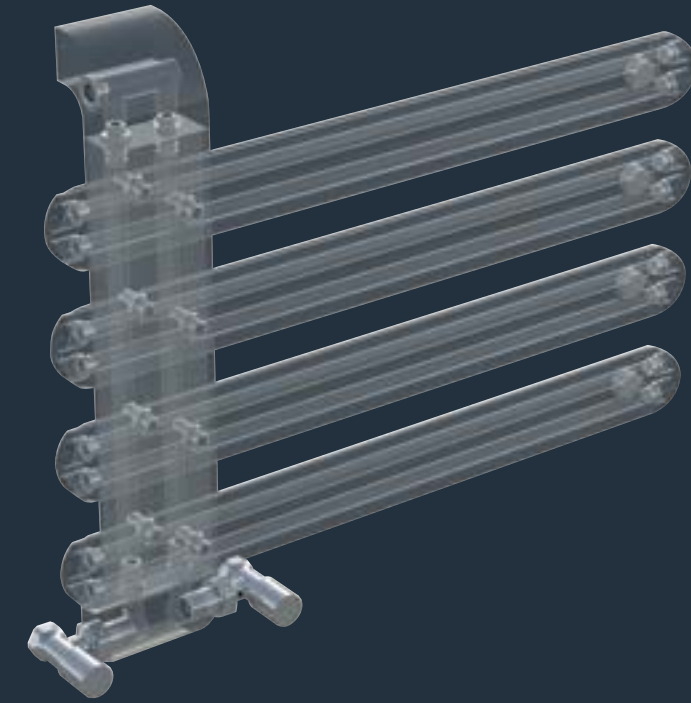
MANUFACTURING

The aim was to create the Radiator of the Future, to complement new design expressions, and run economically on low temperature hydronic loops, or low voltage. Using only the best in the world of aluminium production, experience, and technology, the result is: QUUP Heating Solutions.

C O N C E P T

CONCEPT

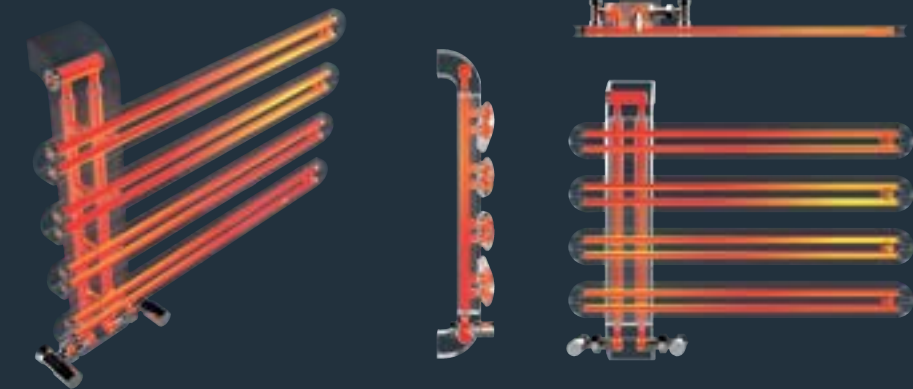
QUUP's Engineers have distilled decades of experience creating complex designs into the most technologically advanced line ever presented.



D E S I G N

DESIGN

QUUP has amplified the adage "Form Follows Function" into Industrial Design and has transformed the mundane into the magnificent. QUUP is the synthesis of Art, Science and Technology.



QUUP

VIGOR

ALUMINIUM DESIGN RADIATOR

Vigor aluminium design radiator has been developed for you to enjoy your living spaces more with its innovative design.

www.quupheating.com



12

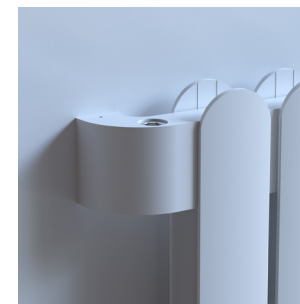




QUUP

Vigor Colors

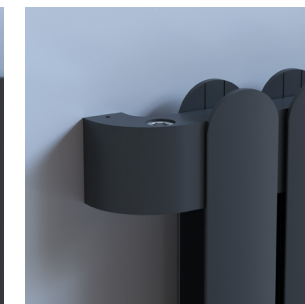
Electrostatic Powder Coating



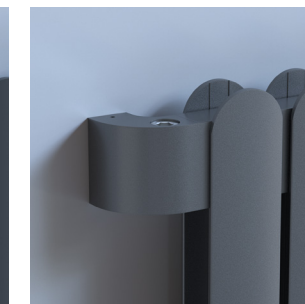
Pearl White



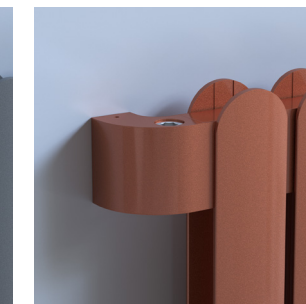
Matte Black



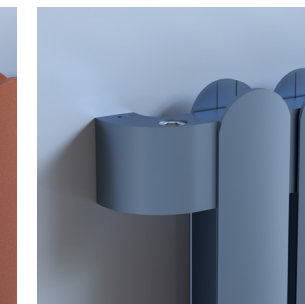
Anthracite



Granite

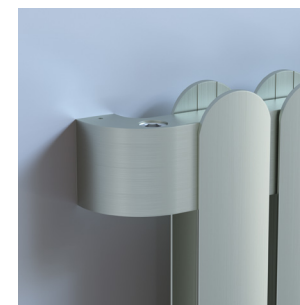


Rose

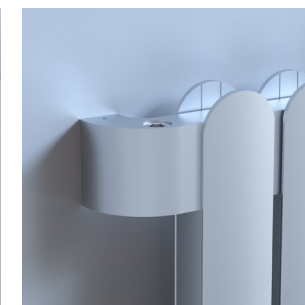


Sky Blue

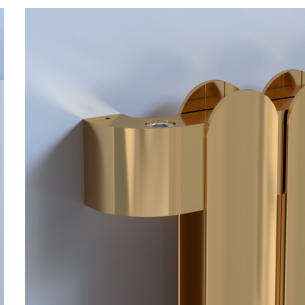
Anodized



Inox



Space Grey



Gold



Piano Black

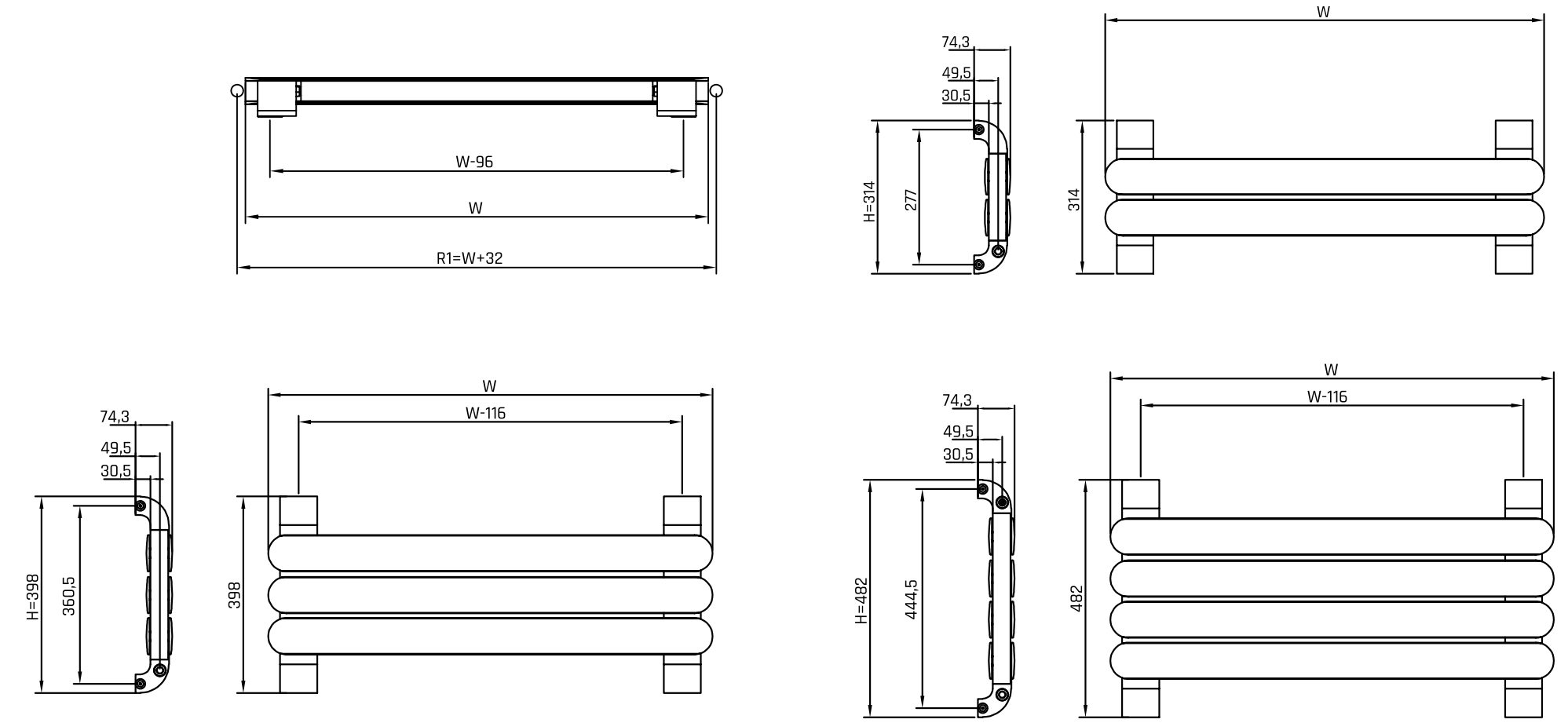
QUUP

Vigor Horizontal Technic

PIPE QTY	HEIGHT (mm)	WIDTH (mm)	AKS DISTANCE / R1 (mm)	POWER ΔT50	PIPE WEIGHT (kg)
2	314 mm	900 mm	932 mm	252 W	8,4 kg
2	314 mm	1000 mm	1032 mm	281 W	9,0 kg
2	314 mm	1200 mm	1232 mm	338 W	10,2 kg
2	314 mm	1400 mm	1432 mm	396 W	11,4 kg
2	314 mm	1600 mm	1632 mm	454 W	12,6 kg
2	314 mm	1700 mm	1732 mm	482 W	13,2 kg
2	314 mm	1800 mm	1832 mm	511 W	13,8 kg
2	314 mm	1900 mm	1932 mm	540 W	14,4 kg
2	314 mm	2000 mm	2032 mm	569 W	15,0 kg
3	398 mm	900 mm	932 mm	378 W	11,5 kg
3	398 mm	1000 mm	1032 mm	421 W	12,4 kg
3	398 mm	1200 mm	1232 mm	508 W	14,2 kg
3	398 mm	1400 mm	1432 mm	594 W	15,9 kg
3	398 mm	1600 mm	1632 mm	680 W	17,7 kg
3	398 mm	1700 mm	1732 mm	724 W	18,6 kg
3	398 mm	1800 mm	1832 mm	767 W	19,5 kg
3	398 mm	1900 mm	1932 mm	810 W	20,4 kg
3	398 mm	2000 mm	2032 mm	853 W	21,3 kg
4	482 mm	900 mm	932 mm	504 W	14,6 kg
4	482 mm	1000 mm	1032 mm	562 W	15,7 kg
4	482 mm	1200 mm	1232 mm	677 W	18,1 kg
4	482 mm	1400 mm	1432 mm	792 W	20,5 kg
4	482 mm	1600 mm	1632 mm	907 W	22,9 kg
4	482 mm	1700 mm	1732 mm	965 W	24,1 kg
4	482 mm	1800 mm	1832 mm	1022 W	25,3 kg
4	482 mm	1900 mm	1932 mm	1080 W	26,5 kg
4	482 mm	2000 mm	2032 mm	1138 W	27,7 kg

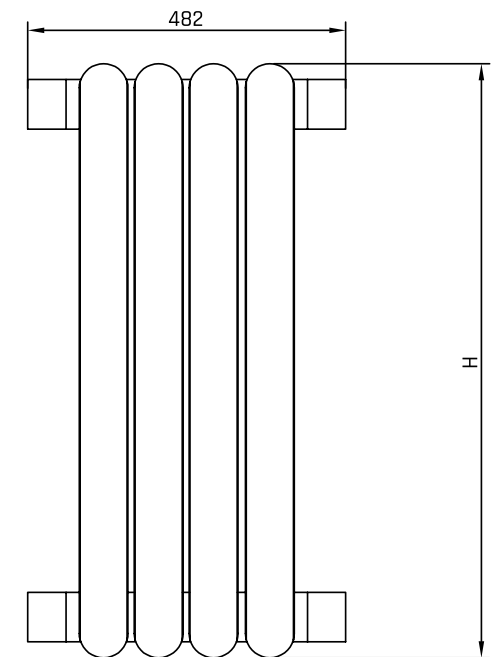
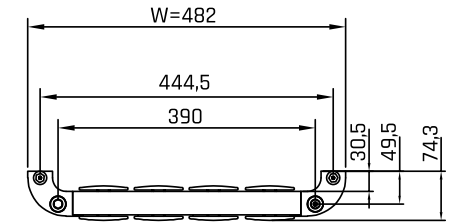
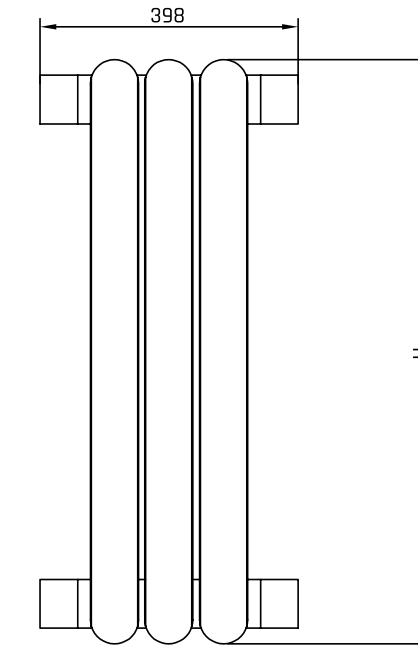
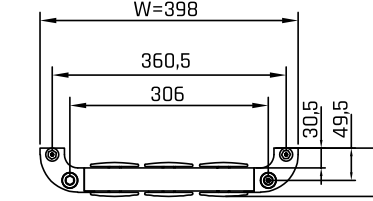
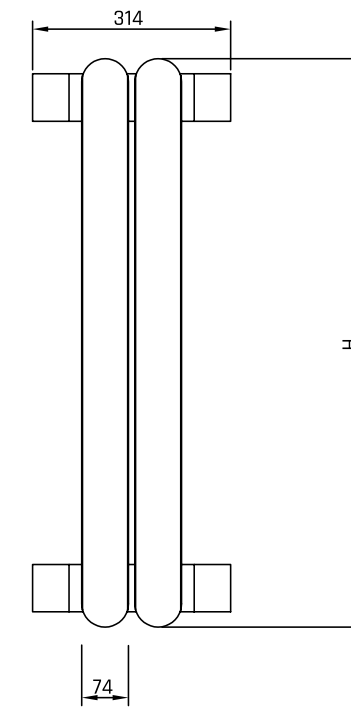
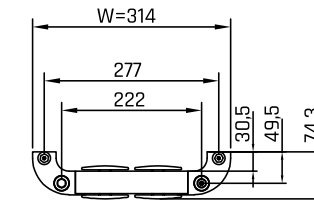
QUUP

Vigor Horizontal Technic



QUUP*Vigor Vertical Technic*

PIPE QTY	HEIGHT (mm)	WIDTH (mm)	AKS DISTANCE / R1 (mm)	POWER ΔT50	PIPE WEIGHT (kg)
2	900 mm	314 mm	277 mm	252 W	8,40 kg
2	1000 mm	314 mm	277 mm	281 W	9,00 kg
2	1200 mm	314 mm	277 mm	338 W	10,20 kg
2	1400 mm	314 mm	277 mm	396 W	11,40 kg
2	1600 mm	314 mm	277 mm	454 W	12,60 kg
2	1700 mm	314 mm	277 mm	482 W	13,20 kg
2	1800 mm	314 mm	277 mm	511 W	13,80 kg
2	1900 mm	314 mm	277 mm	540 W	14,40 kg
2	2000 mm	314 mm	277 mm	569 W	15,00 kg
3	900 mm	398 mm	360,5 mm	378 W	11,50 kg
3	1000 mm	398 mm	360,5 mm	421 W	12,40 kg
3	1200 mm	398 mm	360,5 mm	508 W	14,20 kg
3	1400 mm	398 mm	360,5 mm	594 W	15,90 kg
3	1600 mm	398 mm	360,5 mm	680 W	17,70 kg
3	1700 mm	398 mm	360,5 mm	724 W	18,60 kg
3	1800 mm	398 mm	360,5 mm	767 W	19,50 kg
3	1900 mm	398 mm	360,5 mm	810 W	20,40 kg
3	2000 mm	398 mm	360,5 mm	853 W	21,30 kg
4	900 mm	482 mm	444,5 mm	504 W	14,60 kg
4	1000 mm	482 mm	444,5 mm	562 W	15,70 kg
4	1200 mm	482 mm	444,5 mm	677 W	18,10 kg
4	1400 mm	482 mm	444,5 mm	792 W	20,50 kg
4	1600 mm	482 mm	444,5 mm	907 W	22,90 kg
4	1700 mm	482 mm	444,5 mm	965 W	24,10 kg
4	1800 mm	482 mm	444,5 mm	1022 W	25,30 kg
4	1900 mm	482 mm	444,5 mm	1080 W	26,50 kg
4	2000 mm	482 mm	444,5 mm	1138 W	27,70 kg

QUUP*Vigor Vertical Technic*

QUUP

VIGOR-

ALUMINIUM ELECTRICAL HEATER

Vigor aluminium electrical heater has been developed for you to enjoy your living spaces more with its innovative design.

www.quupheating.com

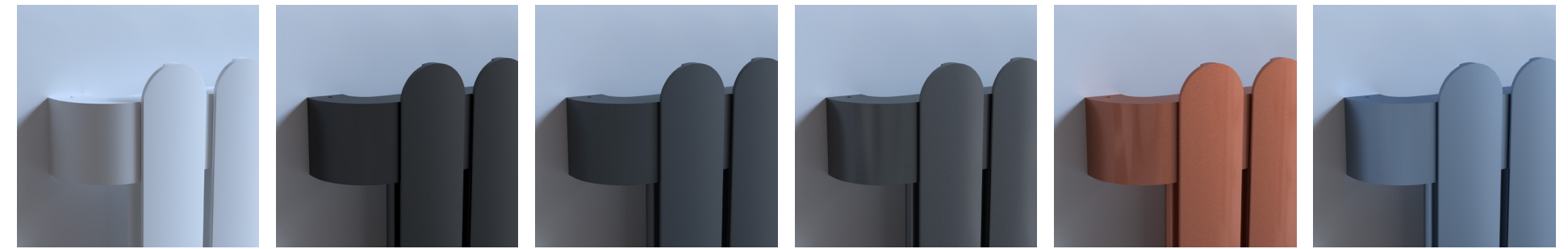




QUUP

Vigor  Colors

Electrostatic Powder Coating



Pearl White

Matte Black

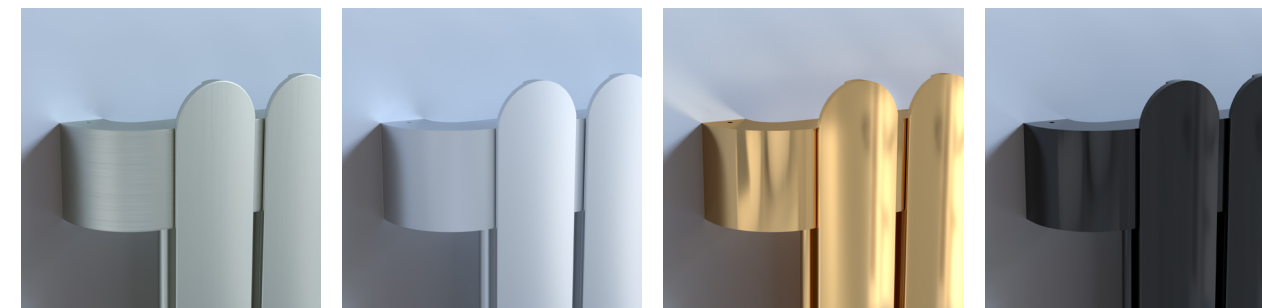
Anthracite

Granite

Rose

Sky Blue

Anodized

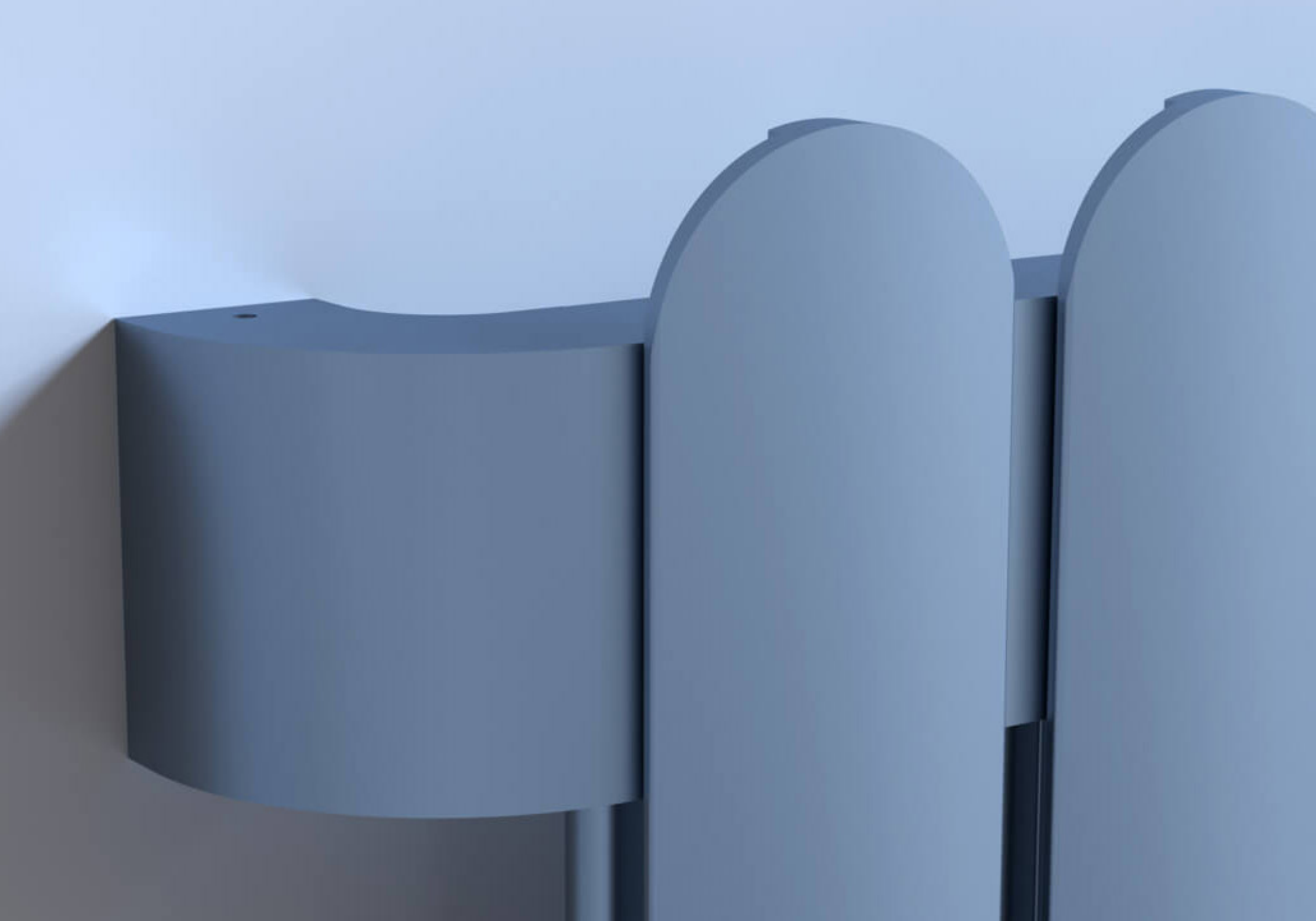


Inox

Space Grey

Gold

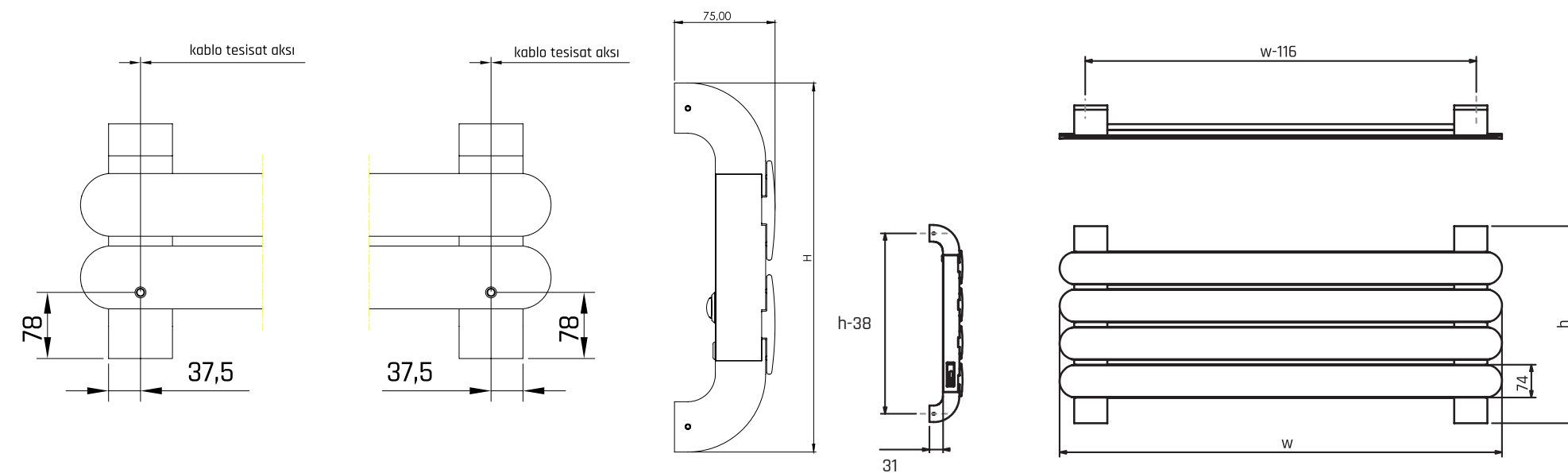
Piano Black

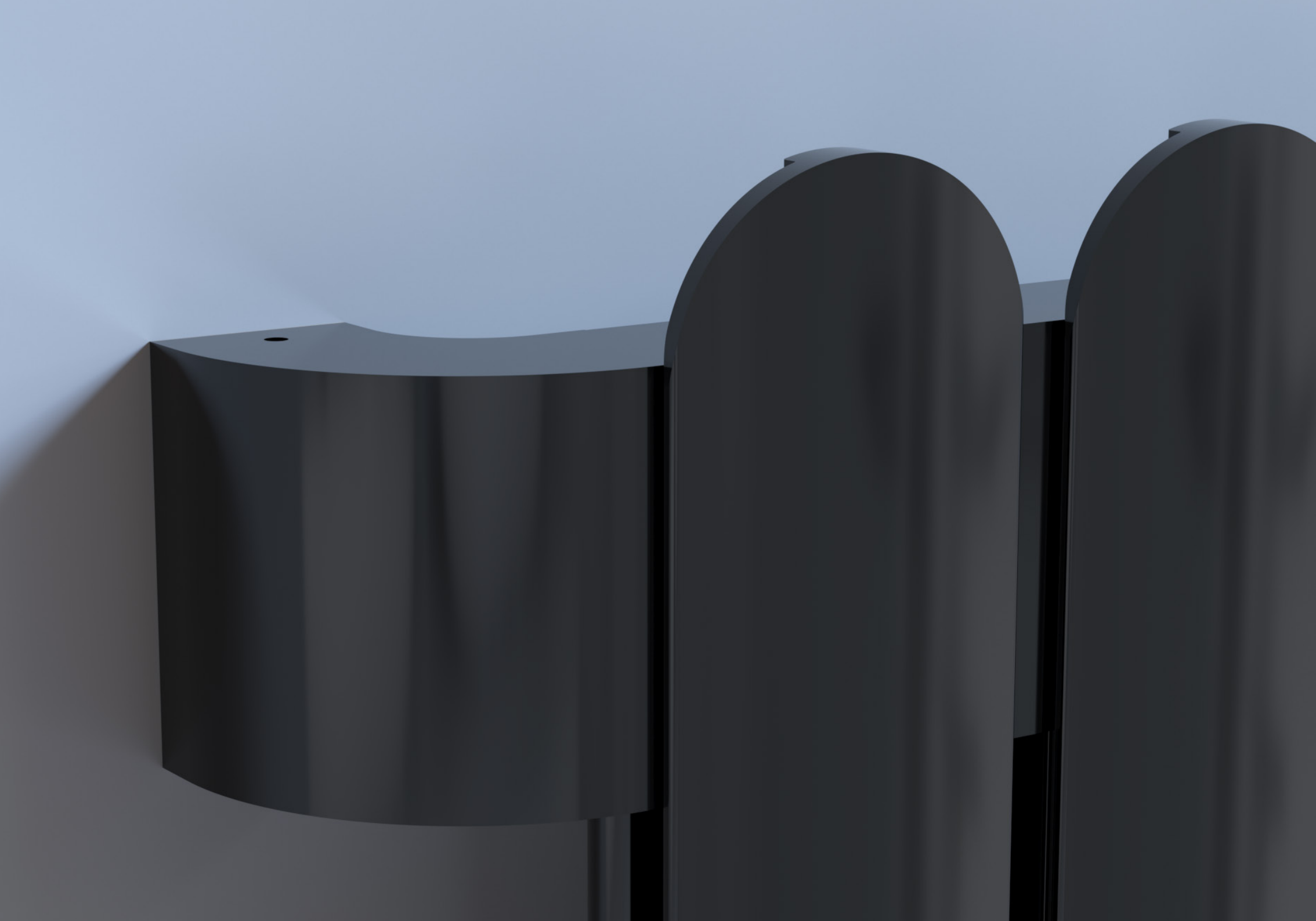


QUUP

Vigor  Colors

PIPE QTY	WIDTH	HEIGHT	POWER ΔT50	PIPE WEIGHT (kg)
2	900 mm	280 mm	600	6,70 kg
2	1200 mm	280 mm	800	8,30 kg
2	1400 mm	280 mm	800	9,30 kg
2	1600 mm	280 mm	1200	10,29 kg
4	900 mm	445 mm	600	10,60 kg
4	1200 mm	445 mm	800	13,10 kg
4	1400 mm	445 mm	800	14,70 kg
4	1600 mm	445 mm	1200	16,30 kg

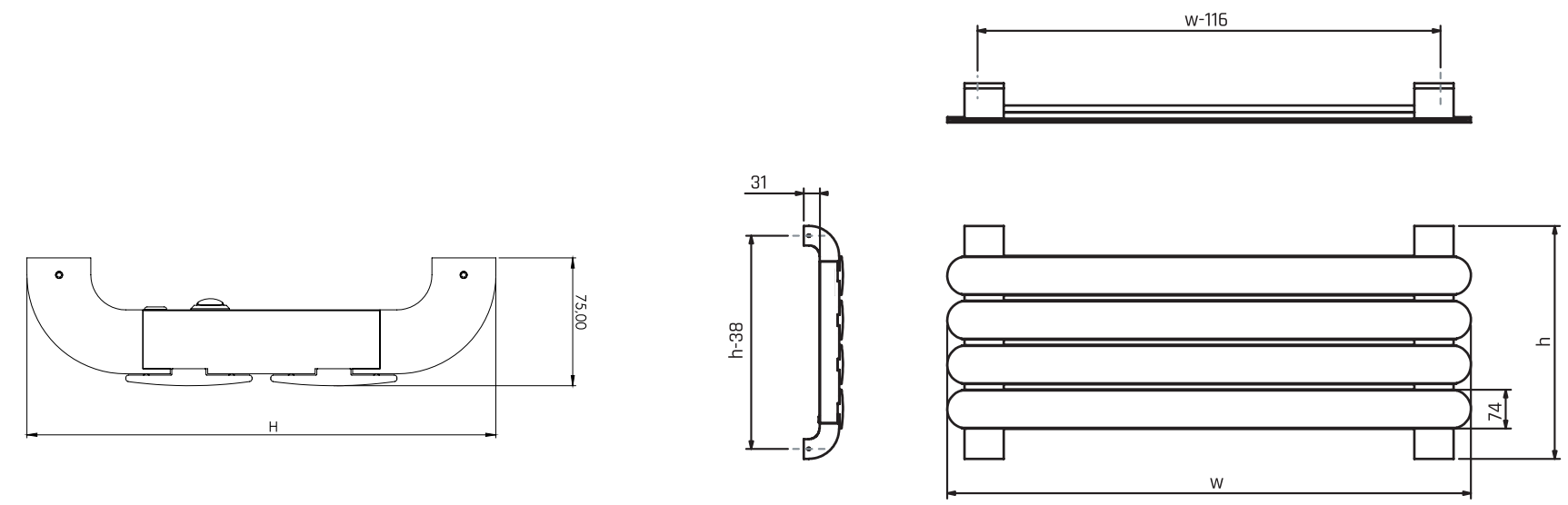




QUUP

Vigor  Technic

PIPE QTY	WIDTH	HEIGHT	POWER ΔT50	PIPE WEIGHT (kg)
2	280 mm	900 mm	600	6,70 kg
2	280 mm	1200 mm	800	8,30 kg
2	280 mm	1400 mm	800	9,30 kg
2	280 mm	1600 mm	1200	10,29 kg
4	445 mm	900 mm	600	10,60 kg
4	445 mm	1200 mm	800	13,10 kg
4	445 mm	1400 mm	800	14,70 kg
4	445 mm	1600 mm	1200	16,30 kg



QUUP

YETI

ALUMINIUM PORTABLE RADIATOR

Yeti aluminum portable radiator was developed for those who prefer freedom in their living spaces.

www.quupheating.com

28

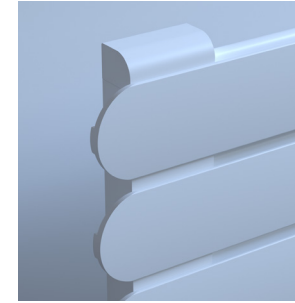




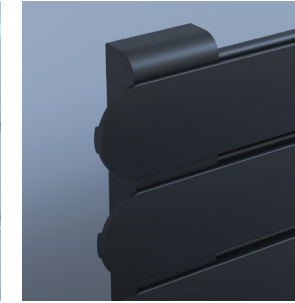
QUUP

Yeti Colors

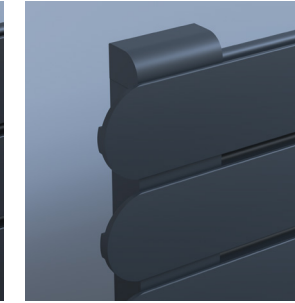
Electrostatic Powder Coating



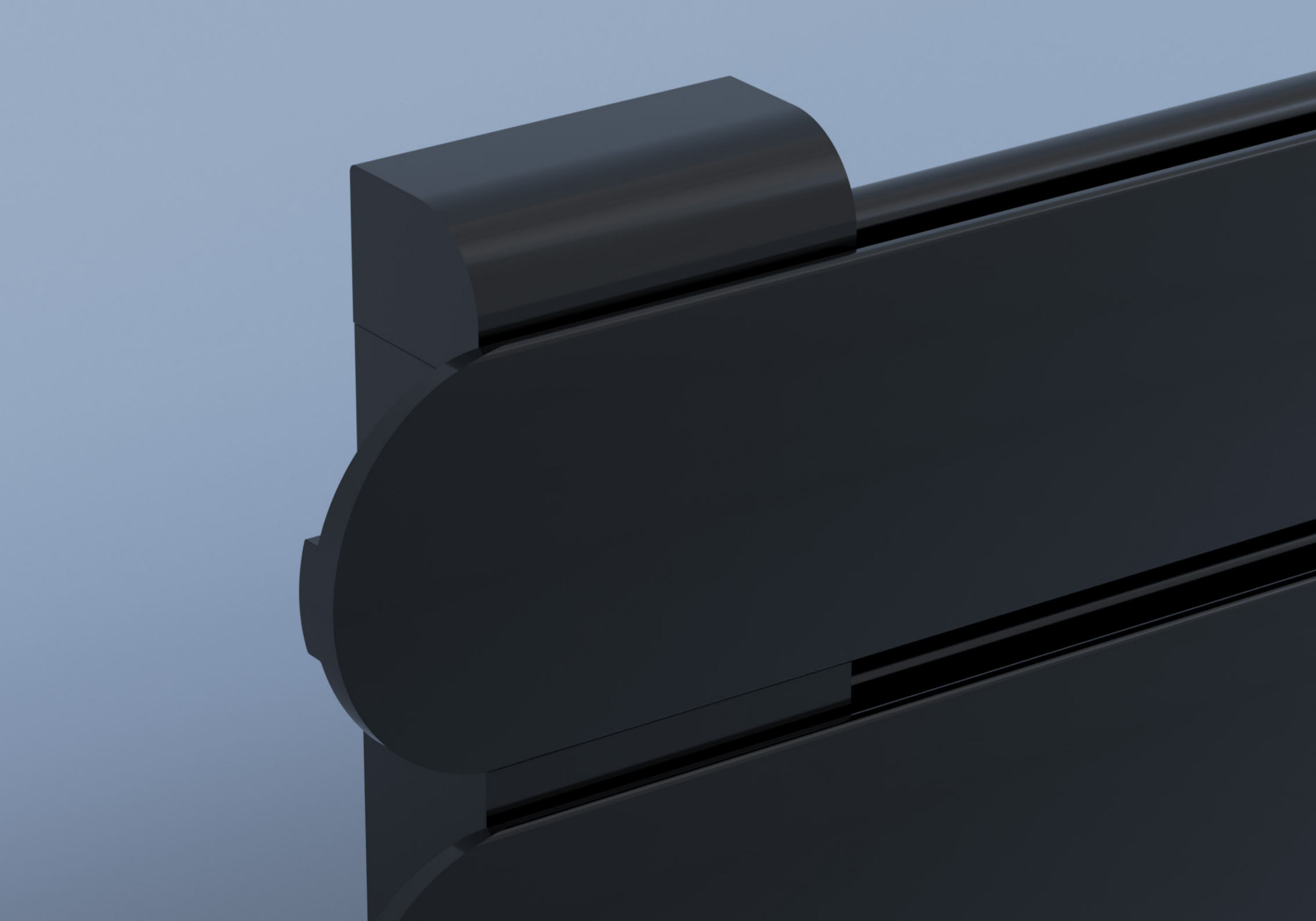
Pearl White



Matte Black



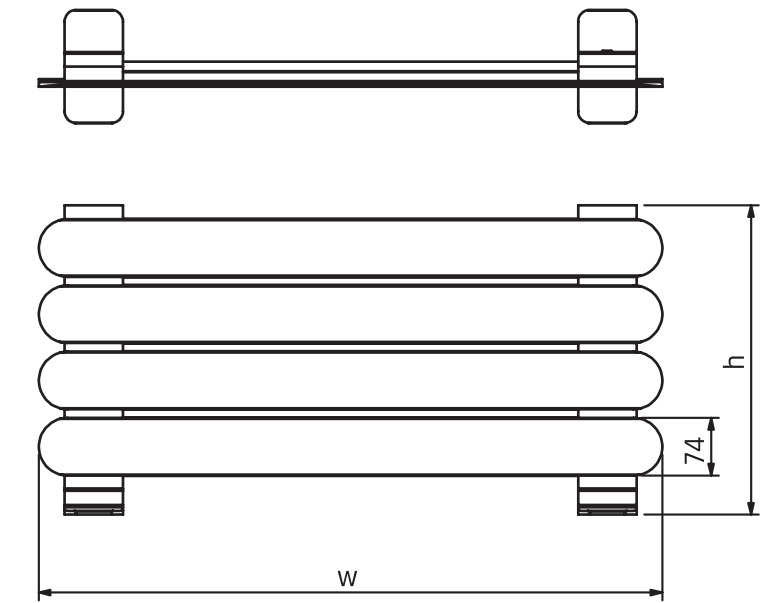
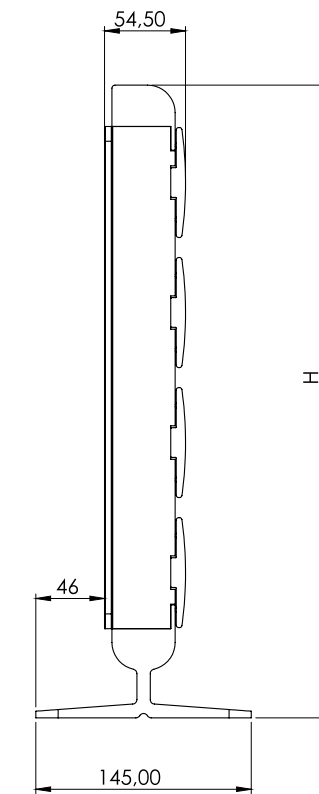
Anthracite



QUUP

Yeti Technic

PIPE QTY	WIDTH (mm)	HEIGHT (mm)	R1 (mm)	R2 (mm)	POWER ΔT50	WEIGHT (kg)
4	900 mm	397 mm	-	-	600 W	9,50 kg



quup

PIXEL

ALUMINIUM DECORATIVE RADIATOR

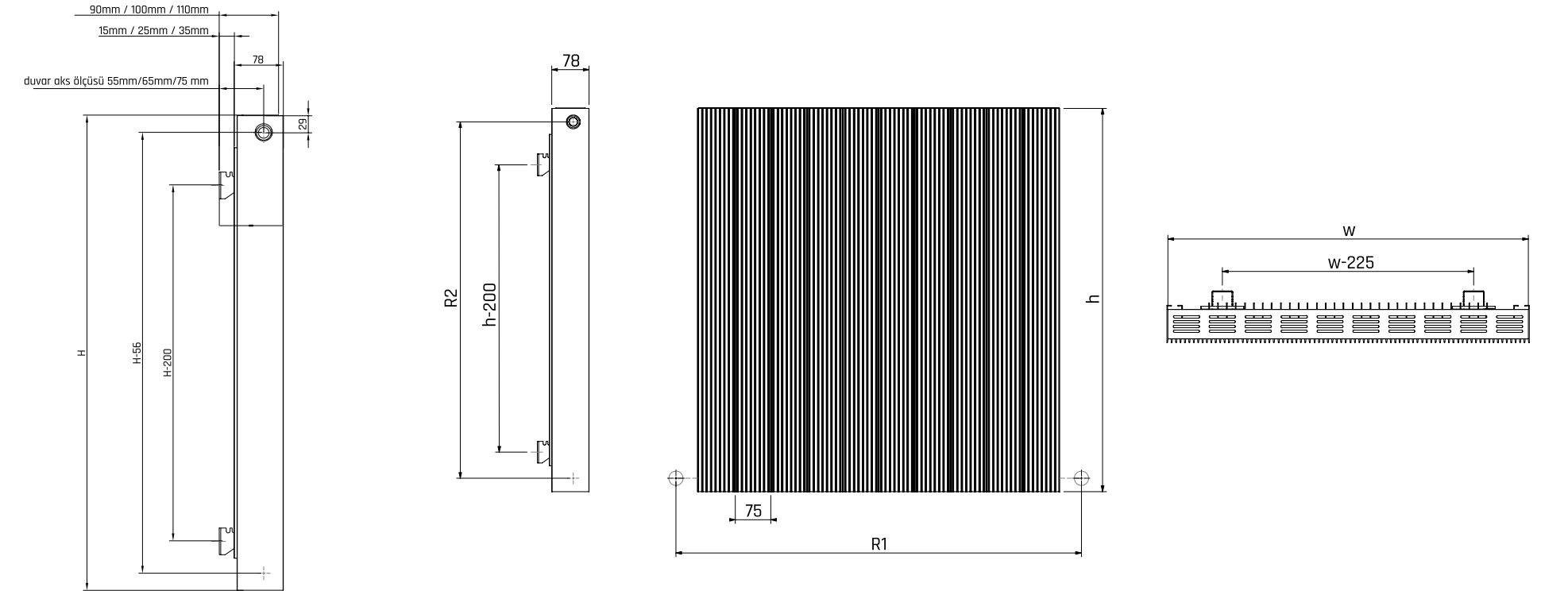
Pixel aluminum decorative radiator has been design to provide simplicity and performance at the same time.

www.quupheating.com



PIPE QTY (n)	GENİŞLİK (w)	HRZ. AKS/ R1 (mm)	HEIGHT (h)								
			500 mm	600 mm	900 mm	1200 mm	1400 mm	1600 mm	1800 mm	2000 mm	
3	225 mm	315 mm	-	-	-	-	602 W	702 W	803 W	903 W	1003 W
4	300 mm	390 mm	-	-	-	-	803 W	936 W	1070 W	1203 W	1338 W
5	375 mm	465 mm	-	-	-	-	1003 W	1170 W	1338 W	1505 W	1672 W
6	450 mm	540 mm	460 W	574 W	689 W	1034 W	1203 W	1405 W	1605 W	1806 W	2006 W
7	525 mm	615 mm	536 W	670 W	804 W	1206 W	1405 W	1639 W	1872 W	2107 W	2341 W
8	600 mm	690 mm	613 W	766 W	919 W	1378 W	1605 W	1872 W	2141 W	2408 W	2675 W
9	675 mm	765 mm	689 W	861 W	1034 W	1550 W	-	-	-	-	-
10	750 mm	840 mm	766 W	957 W	1148 W	1723 W	-	-	-	-	-
11	825 mm	915 mm	843 W	1053 W	1263 W	1895 W	-	-	-	-	-
12	900 mm	990 mm	919 W	1148 W	1378 W	2067 W	-	-	-	-	-
13	975 mm	1065 mm	996 W	1244 W	1493 W	2240 W	-	-	-	-	-
14	1050 mm	1140 mm	1071 W	1340 W	1608 W	2411 W	-	-	-	-	-
15	1125 mm	1215 mm	1148 W	1436 W	1723 W	2584 W	-	-	-	-	-
16	1200 mm	1290 mm	1225 W	1531 W	1837 W	2757 W	-	-	-	-	-
17	1275 mm	1365 mm	1301 W	1627 W	1953 W	2928 W	-	-	-	-	-
18	1350 mm	1440 mm	1378 W	1723 W	2067 W	3101 W	-	-	-	-	-
19	1425 mm	1515 mm	1454 W	1818 W	2182 W	3273 W	-	-	-	-	-
20	1500 mm	1590 mm	1531 W	1914 W	2297 W	3445 W	-	-	-	-	-

HEIGHT (H)	R2	PIPE WIDTH	PIPE WATER CAPACITY	PIPE WEIGHT
400 mm	342 mm	75 mm	0.06 lt	1.4 kg
500 mm	442 mm	75 mm	0.08 lt	1.7 kg
600 mm	542 mm	75 mm	0.09 lt	1.9 kg
900 mm	842 mm	75 mm	0.14 lt	2.7 kg
1200 mm	1142 mm	75 mm	0.18 lt	3.4 kg
1400 mm	1342 mm	75 mm	0.22 lt	3.9 kg
1600 mm	1542 mm	75 mm	0.25 lt	4.4 kg
1800 mm	1742 mm	75 mm	0.28 lt	4.9 kg
2000 mm	1942 mm	75 mm	0.31 lt	5.4 kg

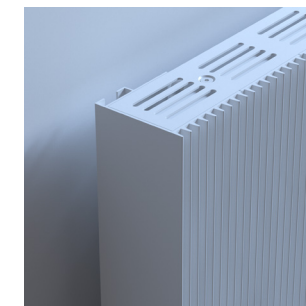




QUUP

Pixel Colors

Electrostatic Powder Coating



Pearl White



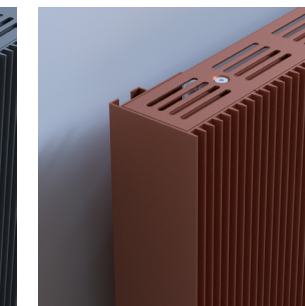
Matte Black



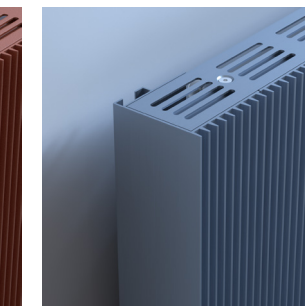
Anthracite



Granite



Rose



Sky Blue

Anodized



Inox



quup

LUCID

ALUMINIUM DECORATIVE RADIATOR

Lucid aluminium decorative radiator has been design to provide simplicity and performance at the same time.

www.quupheating.com

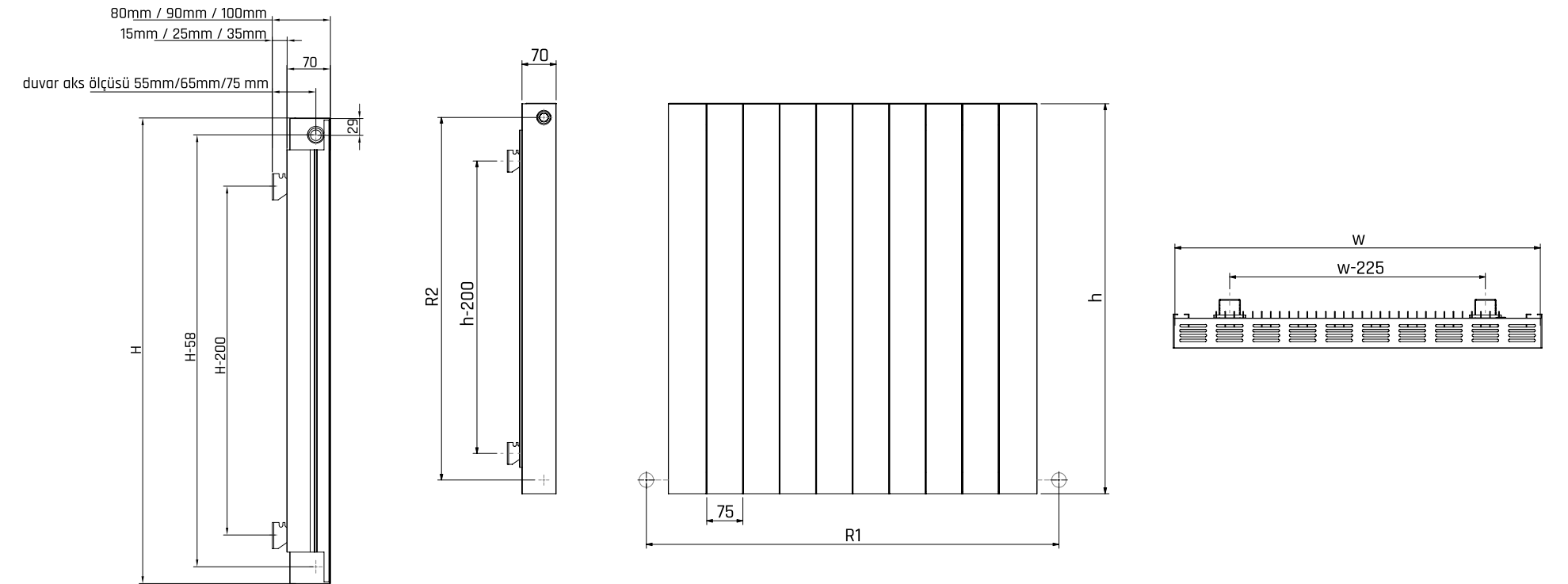


QUUP*Lucid Technical*

PIPE QTY (n)	GENİŞLİK (w)	HRZ. AKS/ R1 (mm)	HEIGHT (h)								
			400 mm	500 mm	600 mm	900 mm	1200 mm	1400 mm	1600 mm	1800 mm	2000 mm
3	225 mm	315 mm	-	-	-	-	538 W	628 W	718 W	807 W	897 W
4	300 mm	390 mm	-	-	-	-	718 W	837 W	957 W	1076 W	1196 W
5	375 mm	465 mm	-	-	-	-	897 W	1047 W	1196 W	1346 W	1495 W
6	450 mm	540 mm	428 W	534 W	641 W	962 W	1076 W	1256 W	1435 W	1615 W	1794 W
7	525 mm	615 mm	499 W	624 W	748 W	1122 W	1256 W	1465 W	1674 W	1884 W	2093 W
8	600 mm	690 mm	569 W	712 W	855 W	1282 W	1435 W	1674 W	1914 W	2153 W	2392 W
9	675 mm	765 mm	641 W	802 W	962 W	1443 W	-	-	-	-	-
10	750 mm	840 mm	712 W	891 W	1069 W	1603 W	-	-	-	-	-
11	825 mm	915 mm	784 W	980 W	1175 W	1763 W	-	-	-	-	-
12	900 mm	990 mm	855 W	1069 W	1282 W	1924 W	-	-	-	-	-
13	975 mm	1065 mm	926 W	1158 W	1390 W	2084 W	-	-	-	-	-
14	1050 mm	1140 mm	997 W	1247 W	1496 W	2244 W	-	-	-	-	-
15	1125 mm	1215 mm	1069 W	1336 W	1603 W	2405 W	-	-	-	-	-
16	1200 mm	1290 mm	1140 W	1425 W	1710 W	2565 W	-	-	-	-	-
17	1275 mm	1365 mm	1212 W	1515 W	1816 W	2725 W	-	-	-	-	-
18	1350 mm	1440 mm	1282 W	1603 W	1924 W	2885 W	-	-	-	-	-
19	1425 mm	1515 mm	1353 W	1693 W	2031 W	3046 W	-	-	-	-	-
20	1500 mm	1590 mm	1425 W	1781 W	2137 W	3206 W	-	-	-	-	-

QUUP*Lucid Technic*

HEIGHT (H)	R2	PIPE WIDTH	PIPE WATER CAPACITY	PIPE WEIGHT
400 mm	342 mm	75 mm	0.06 lt	1.3 kg
500 mm	442 mm	75 mm	0.08 lt	1.5 kg
600 mm	542 mm	75 mm	0.09 lt	1.7 kg
900 mm	842 mm	75 mm	0.14 lt	2.3 kg
1200 mm	1142 mm	75 mm	0.18 lt	2.9 kg
1400 mm	1342 mm	75 mm	0.22 lt	3.6 kg
1600 mm	1542 mm	75 mm	0.25 lt	3.7 kg
1800 mm	1742 mm	75 mm	0.28 lt	4.2 kg
2000 mm	1942 mm	75 mm	0.31 lt	4.6 kg





QUUP

Lucid Colors

Electrostatic Powder Coating



Pearl White



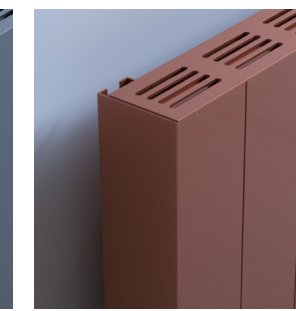
Matte Black



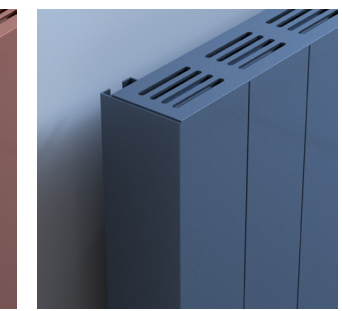
Anthracite



Granite



Rose



Sky Blue

QUUP

ODZY

ALUMINIUM TUBE RADIATOR

Odzy aluminium tube radiator has been designed for those who love elegant details in their living spaces.

www.quupheating.com

46



QUUP

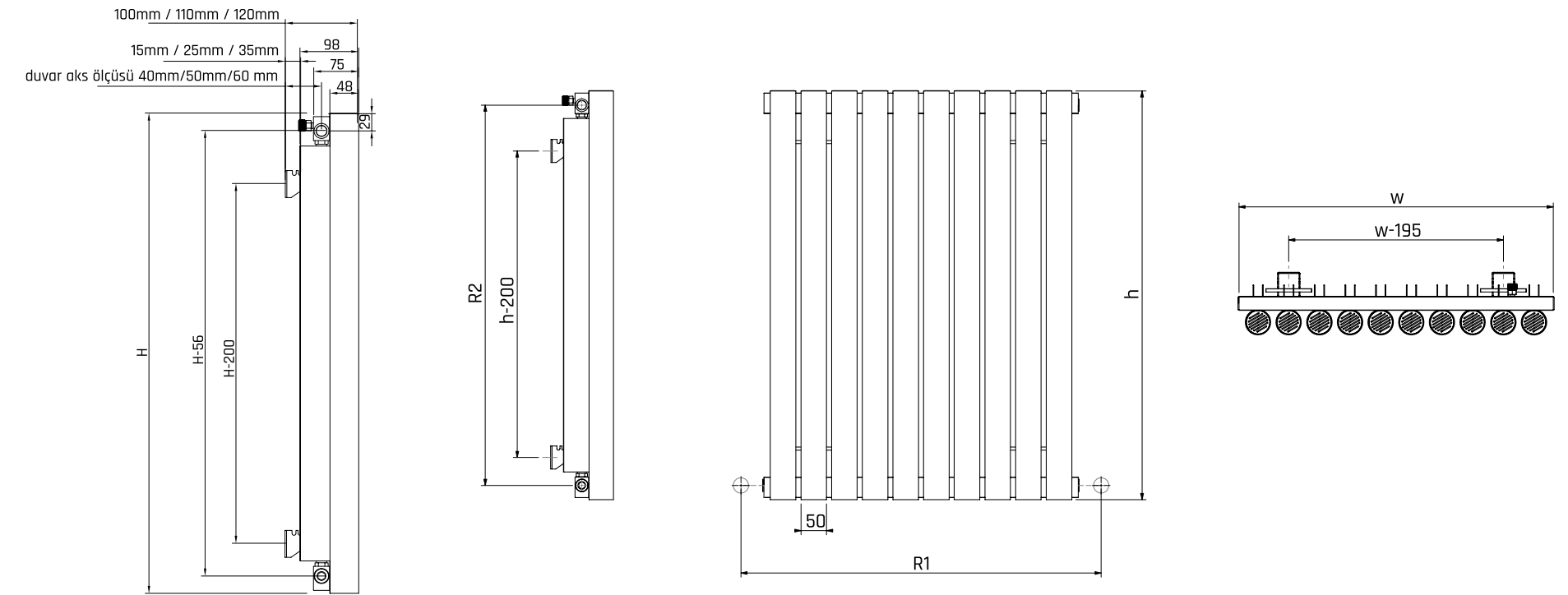
Odzy Technical

PIPE QTY (n)	GENİŞLİK (w)	HRZ. AKS/ R1 (mm)	HEIGHT (h)								
			400 mm	500 mm	600 mm	900 mm	1200 mm	1400 mm	1600 mm	1800 mm	2000 mm
3	225 mm	315 mm	-	-	-	-	510 W	595 W	680 W	765 W	850 W
4	300 mm	390 mm	-	-	-	-	680 W	794 W	907 W	1.020 W	1.134 W
5	375 mm	465 mm	-	-	-	-	850 W	992 W	1.134 W	1.275 W	1.417 W
6	450 mm	540 mm	340 W	425 W	510 W	765 W	1.020 W	1.190 W	1.361 W	1.531 W	1.701 W
7	525 mm	615 mm	397 W	496 W	595 W	893 W	1.190 W	1.389 W	1.587 W	1.786 W	1.984 W
8	600 mm	690 mm	454 W	567 W	680 W	1.020 W	1.360 W	1.587 W	1.814 W	2.041 W	2.267 W
9	675 mm	765 mm	510 W	638 W	765 W	1.148 W	-	-	-	-	-
10	750 mm	840 mm	567 W	709 W	850 W	1.275 W	-	-	-	-	-
11	825 mm	915 mm	624 W	779 W	935 W	1.403 W	-	-	-	-	-
12	900 mm	990 mm	680 W	850 W	1.020 W	1.531 W	-	-	-	-	-
13	975 mm	1065 mm	737 W	921 W	1.105 W	1.658 W	-	-	-	-	-
14	1050 mm	1140 mm	794 W	992 W	1.190 W	1.786 W	-	-	-	-	-
15	1125 mm	1215 mm	850 W	1.063 W	1.275 W	1.913 W	-	-	-	-	-
16	1200 mm	1290 mm	907 W	1.134 W	1.361 W	2.041 W	-	-	-	-	-
17	1275 mm	1365 mm	964 W	1.205 W	1.446 W	2.168 W	-	-	-	-	-
18	1350 mm	1440 mm	1.020 W	1.275 W	1.531 W	2.296 W	-	-	-	-	-
19	1425 mm	1515 mm	1.077 W	1.346 W	1.616 W	2.423 W	-	-	-	-	-
20	1500 mm	1590 mm	1.134 W	1.417 W	1.701 W	2.551 W	-	-	-	-	-

QUUP

Odzy Technic

HEIGHT (H)	R2	PIPE WIDTH	PIPE WATER CAPACITY	PIPE WEIGHT
400 mm	342 mm	50 mm	0.06 lt	1.0 kg
500 mm	442 mm	50 mm	0.08 lt	1.2 kg
600 mm	542 mm	50 mm	0.09 lt	1.3 kg
900 mm	842 mm	50 mm	0.14 lt	1.8 kg
1200 mm	1142 mm	50 mm	0.18 lt	2.3 kg
1400 mm	1342 mm	50 mm	0.22 lt	2.6 kg
1600 mm	1542 mm	50 mm	0.25 lt	2.9 kg
1800 mm	1742 mm	50 mm	0.28 lt	3.3 kg
2000 mm	1942 mm	50 mm	0.31 lt	3.6 kg

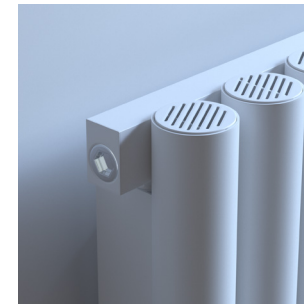




QUUP

Odzy Colors

Electrostatic Powder Coating



Pearl White



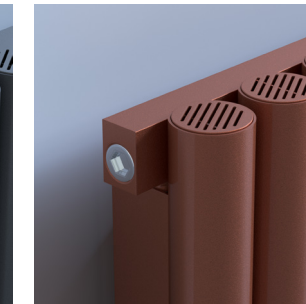
Matte Black



Anthracite



Granite



Rose

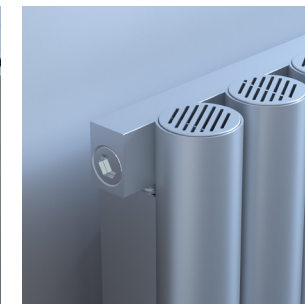


Sky Blue

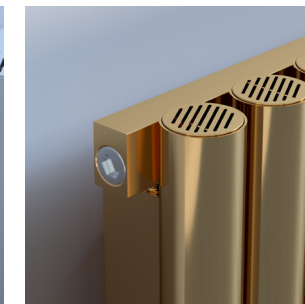
Anodized



Inox



Space Grey



Gold



Piano Black

QUUP

FRAME

UNIVERSAL ALUMINIUM RADIATOR

Frame universal aluminium radiator has been designed to fit two different models in a single product and to offer two different styles with the same dimensions.

www.quupheating.com

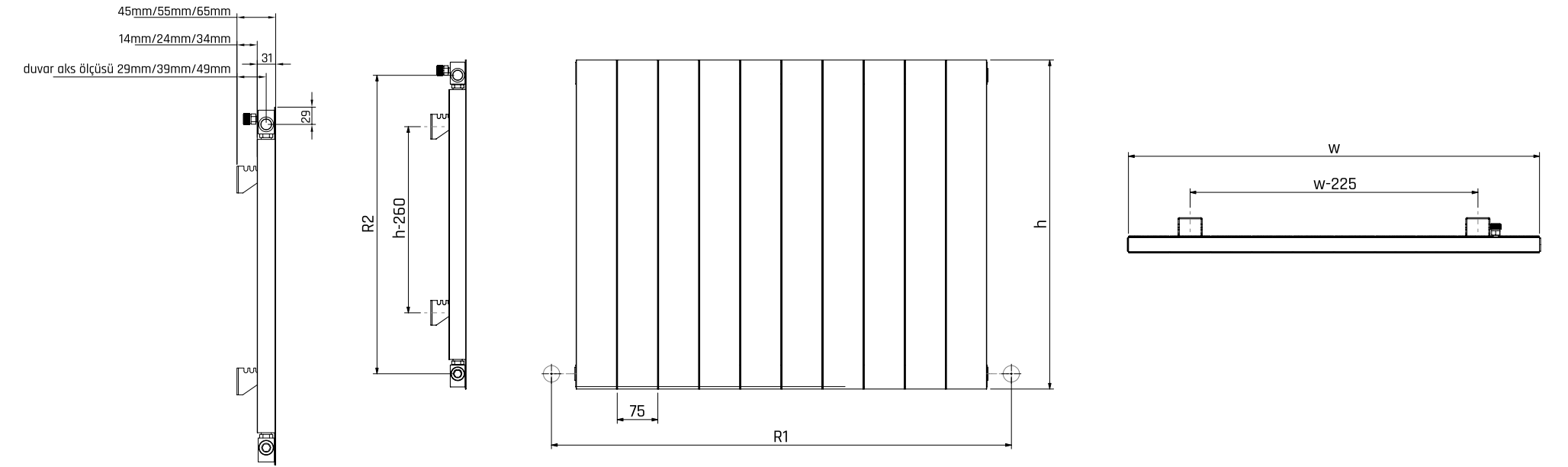


QUUP*Frame Technical*

PIPE QTY (n)	GENİŞLİK (w)	HRZ. AKS/ R1 (mm)	HEIGHT (h)								
			400 mm	500 mm	600 mm	900 mm	1200 mm	1400 mm	1600 mm	1800 mm	2000 mm
3	225 mm	315 mm	-	-	-	-	487 W	649 W	649 W	731 W	812 W
4	300 mm	390 mm	-	-	-	-	649 W	866 W	866 W	974 W	1082 W
5	375 mm	465 mm	-	-	-	-	812 W	1082 W	1082 W	1218 W	1353 W
6	450 mm	540 mm	325 W	406 W	487 W	731 W	974 W	1299 W	1299 W	1461 W	1624 W
7	525 mm	615 mm	379 W	474 W	568 W	852 W	1137 W	1515 W	1515 W	1705 W	1894 W
8	600 mm	690 mm	433 W	541 W	649 W	974 W	1299 W	1732 W	1732 W	1948 W	2165 W
9	675 mm	765 mm	487 W	609 W	731 W	1096 W	-	-	-	-	-
10	750 mm	840 mm	541 W	677 W	812 W	1218 W	-	-	-	-	-
11	825 mm	915 mm	595 W	744 W	893 W	1339 W	-	-	-	-	-
12	900 mm	990 mm	649 W	812 W	974 W	1461 W	-	-	-	-	-
13	975 mm	1065 mm	704 W	879 W	1055 W	1583 W	-	-	-	-	-
14	1050 mm	1140 mm	758 W	947 W	1137 W	1705 W	-	-	-	-	-
15	1125 mm	1215 mm	812 W	1015 W	1218 W	1827 W	-	-	-	-	-
16	1200 mm	1290 mm	866 W	1082 W	1299 W	1948 W	-	-	-	-	-
17	1275 mm	1365 mm	920 W	1150 W	1380 W	2070 W	-	-	-	-	-
18	1350 mm	1440 mm	974 W	1218 W	1461 W	2192 W	-	-	-	-	-
19	1425 mm	1515 mm	1028 W	1285 W	1542 W	2314 W	-	-	-	-	-
20	1500 mm	1590 mm	1082 W	1353 W	1624 W	2435 W	-	-	-	-	-

QUUP*Frame Technic*

HEIGHT (H)	R2	PIPE WIDTH	PIPE WATER CAPACITY	PIPE WEIGHT
400 mm	342 mm	75 mm	0.06 lt	0.9 kg
500 mm	442 mm	75 mm	0.08 lt	1.1 kg
600 mm	542 mm	75 mm	0.09 lt	1.2 kg
900 mm	842 mm	75 mm	0.14 lt	1.6 kg
1200 mm	1142 mm	75 mm	0.18 lt	2.0 kg
1400 mm	1342 mm	75 mm	0.22 lt	2.5 kg
1600 mm	1542 mm	75 mm	0.25 lt	2.6 kg
1800 mm	1742 mm	75 mm	0.28 lt	2.8 kg
2000 mm	1942 mm	75 mm	0.31 lt	3.1 kg





QUUP

Frame Colors

Electrostatic Powder Coating



Pearl White



Matte Black



Anthracite



Granite



Rose



Sky Blue

QUUP

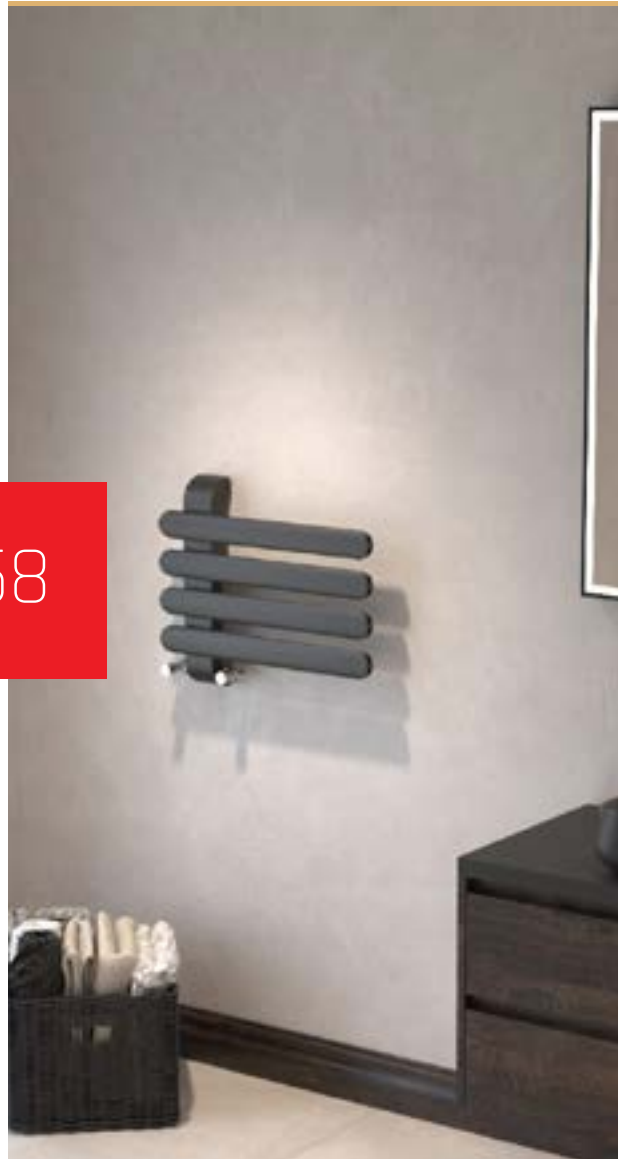
RIFLE

ALUMINIUM DESIGN RADIATOR

Rifle aluminium design radiator has been developed to introduce an innovative architectural approach to your living spaces.

www.quupheating.com

58

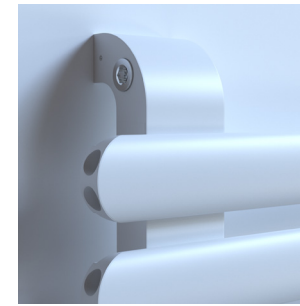




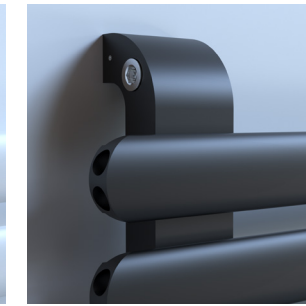
QUUP

Rifle Colors

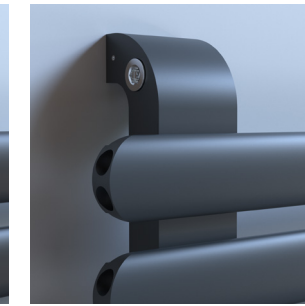
Electrostatic Powder Coating



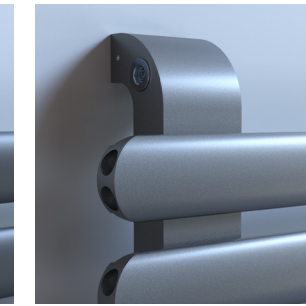
Pearl White



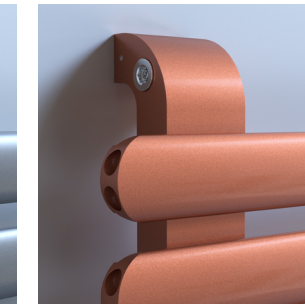
Matte Black



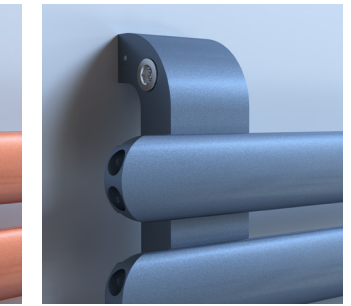
Anthracite



Granite



Rose

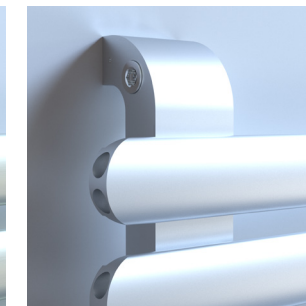


Sky Blue

Anodized



Inox



Space Grey



Gold



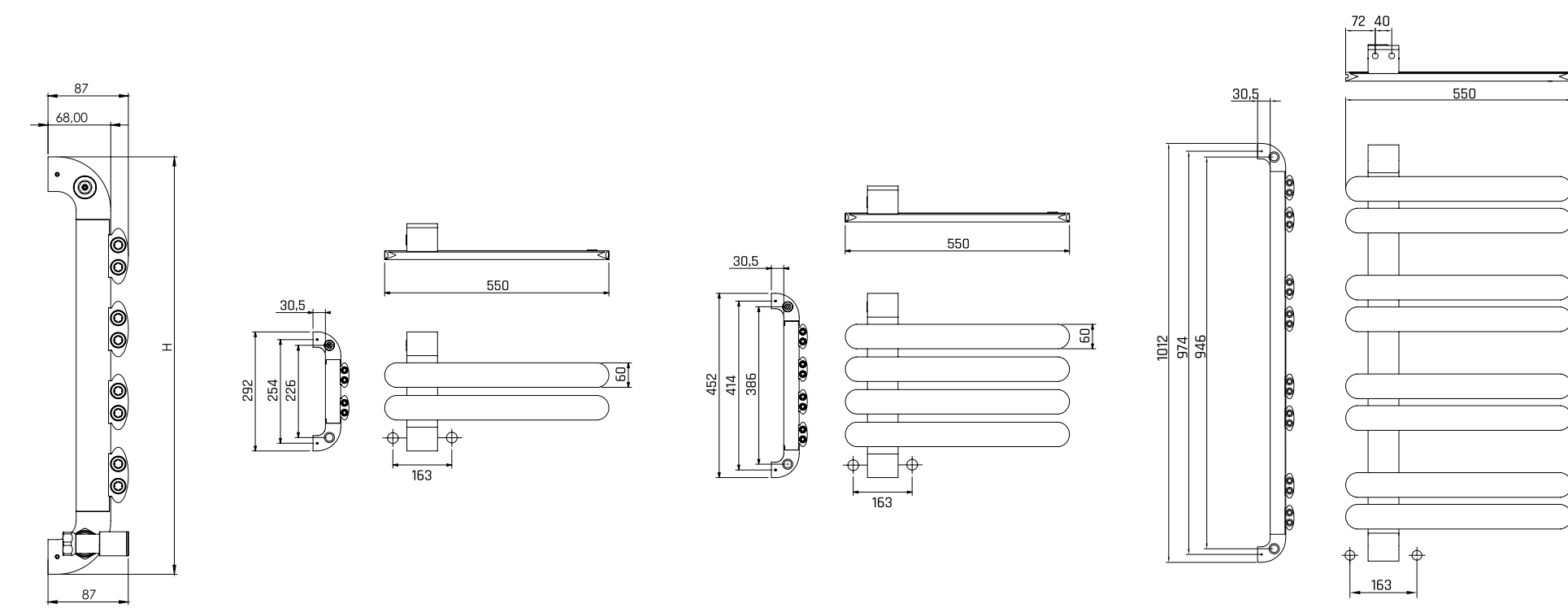
Piano Black



QUUP

Rifle Technic

PIPE QTY	WIDTH (mm)	HEIGHT (h) (mm)	R1 (mm)	EXTERNAL RESISTANCE (mm)	POWER ΔT50 (HYDRONIC) (watt)	PIPE WEIGHT (kg)
2	550 mm	292 mm	163 mm	-	170	4,2 kg
4	550 mm	452 mm	163 mm	-	340	7,3 kg
8	550 mm	1012 mm	163 mm	-	680	12,79 kg





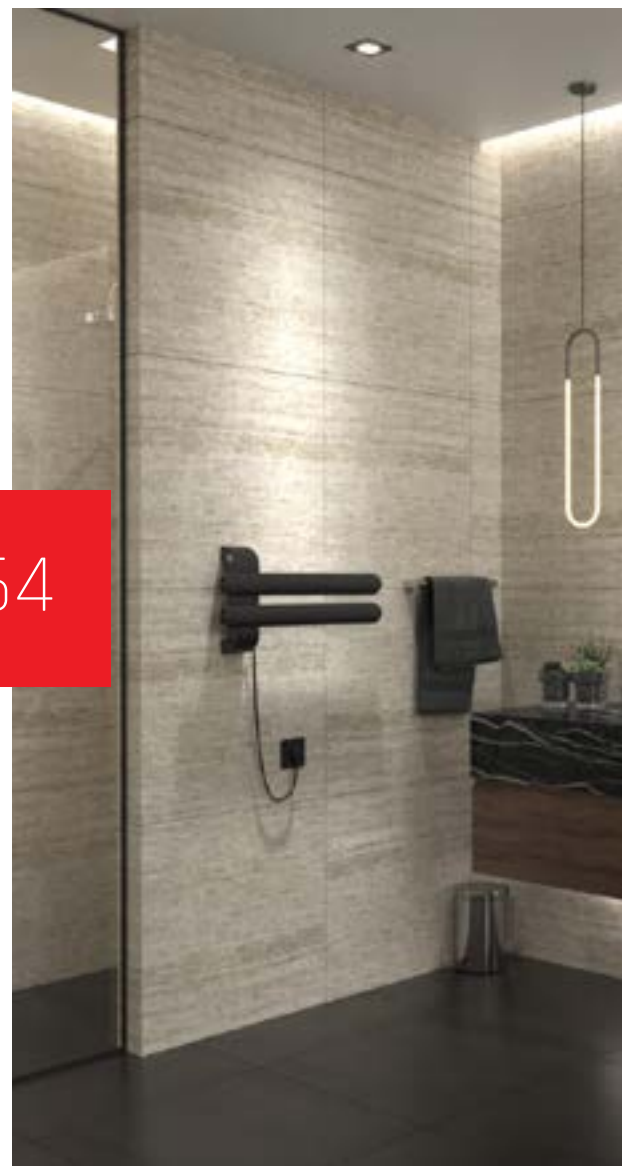
QUUP

RIFLE-

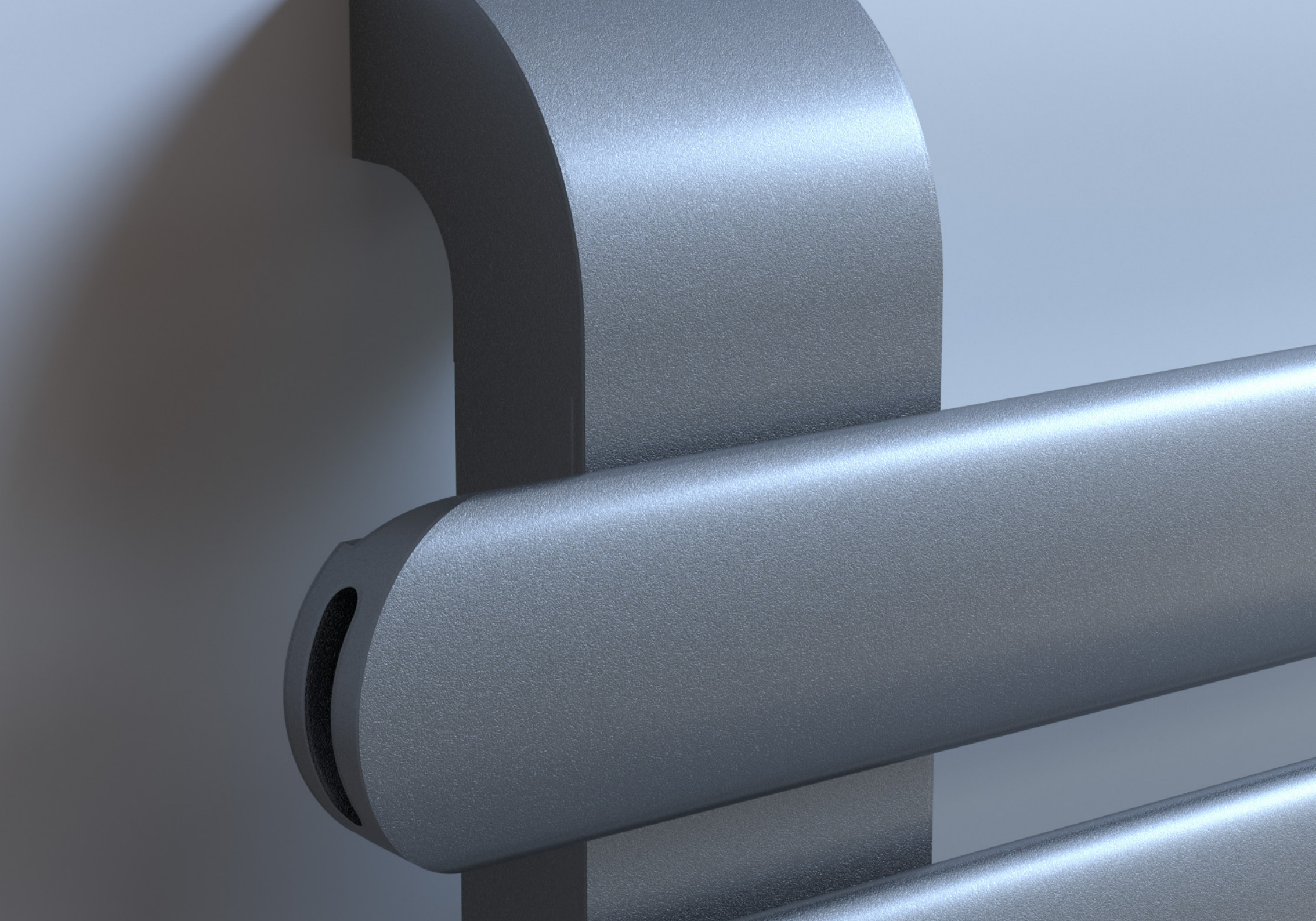
ALUMINIUM ELECTRICAL HEATER

Rifle aluminium electrical heater has been developed to introduce an innovative architectural approach to your living spaces.

www.quupheating.com



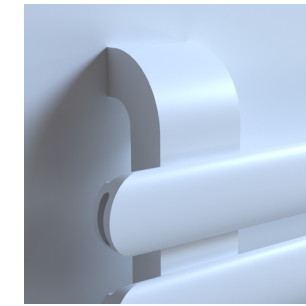
64



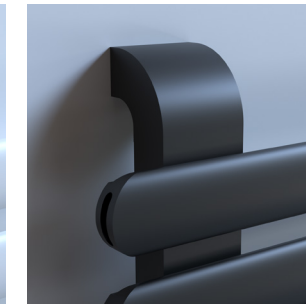
QUUP

Rifle Colors

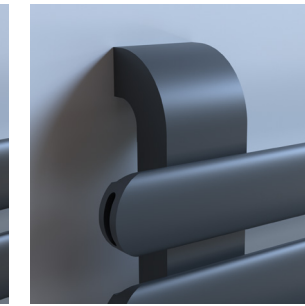
Electrostatic Powder Coating



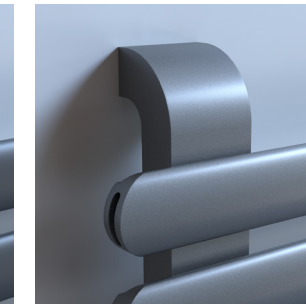
Pearl White



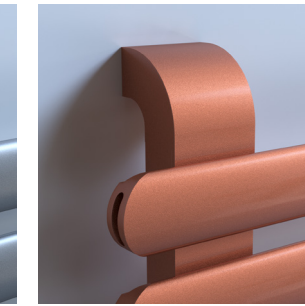
Matte Black



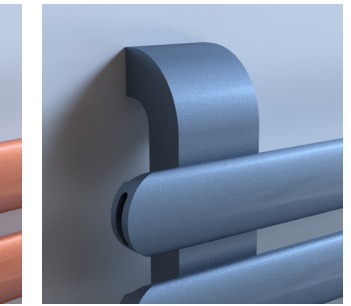
Anthracite



Granite

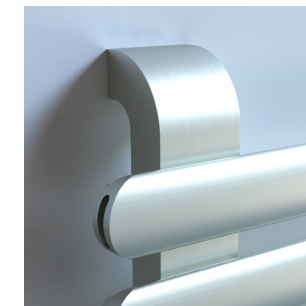


Rose

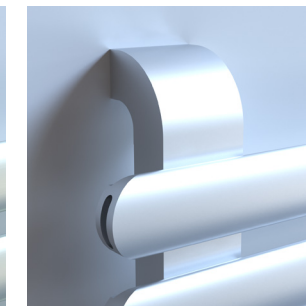


Sky Blue

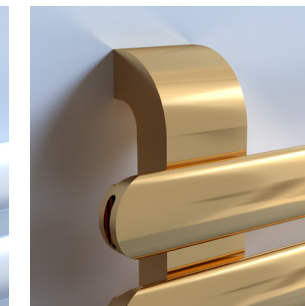
Anodized



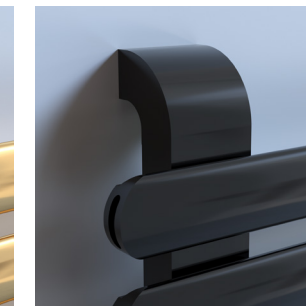
Inox



Space Grey



Gold



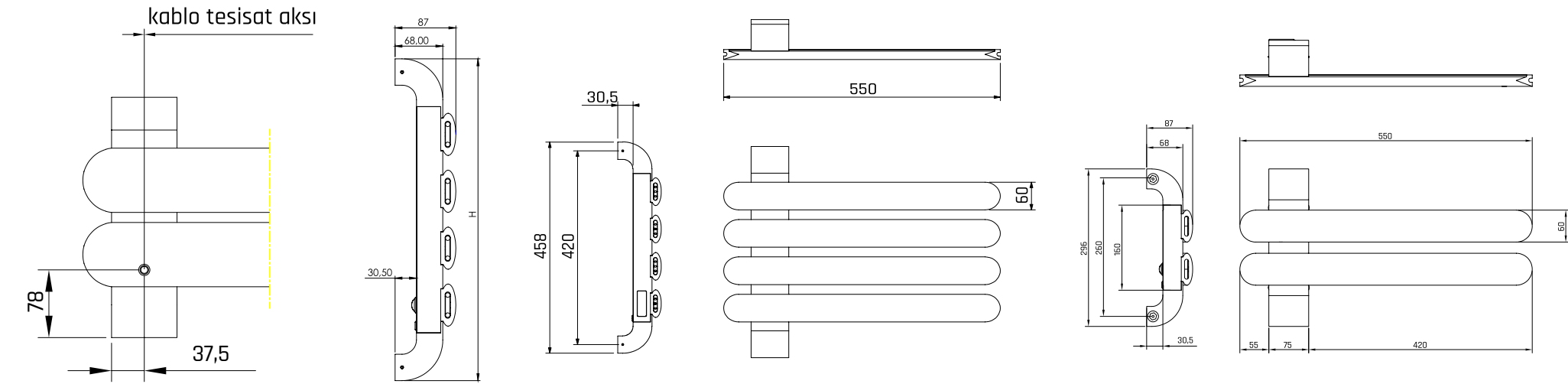
Piano Black



QUUP

Rifle Technic

PIPE QTY	WIDTH (mm)	HEIGHT (mm)	POWER ΔT50	WEIGHT (kg)
2	550 mm	296 mm	200 W	4,45 kg
4	550 mm	458 mm	400 W	6,50 kg





QUUP

GUARDIAN

ALUMINIUM DESIGNED
RADIATOR

Guardian aluminium designed radiator has been developed for those who accept an architectural understanding far from monotony.

www.quupheating.com

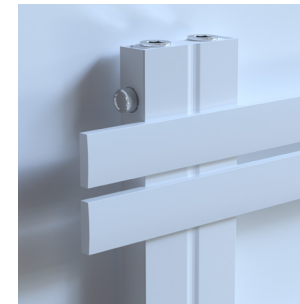




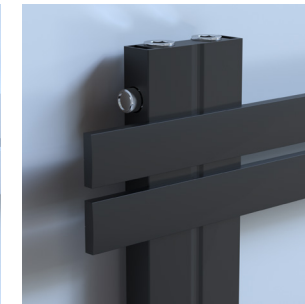
QUUP

Guardian Colors

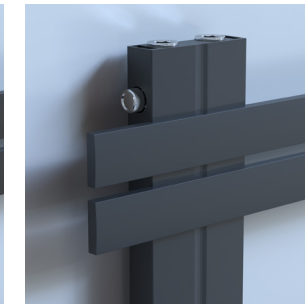
Electrostatic Powder Coating



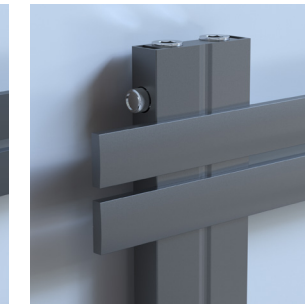
Pearl White



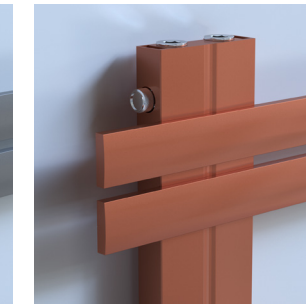
Matte Black



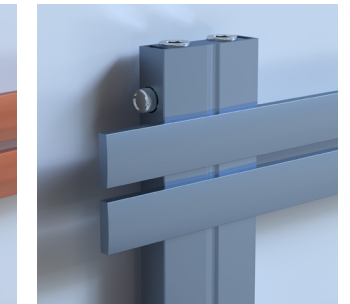
Anthracite



Granite

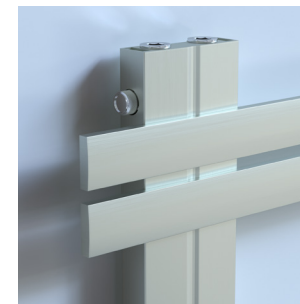


Rose

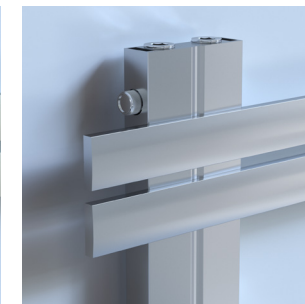


Sky Blue

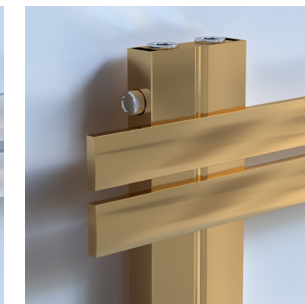
Anodized



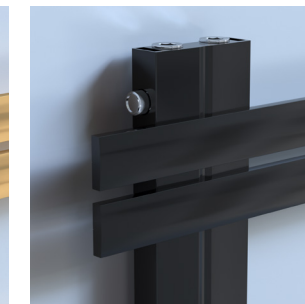
Inox



Space Grey



Gold



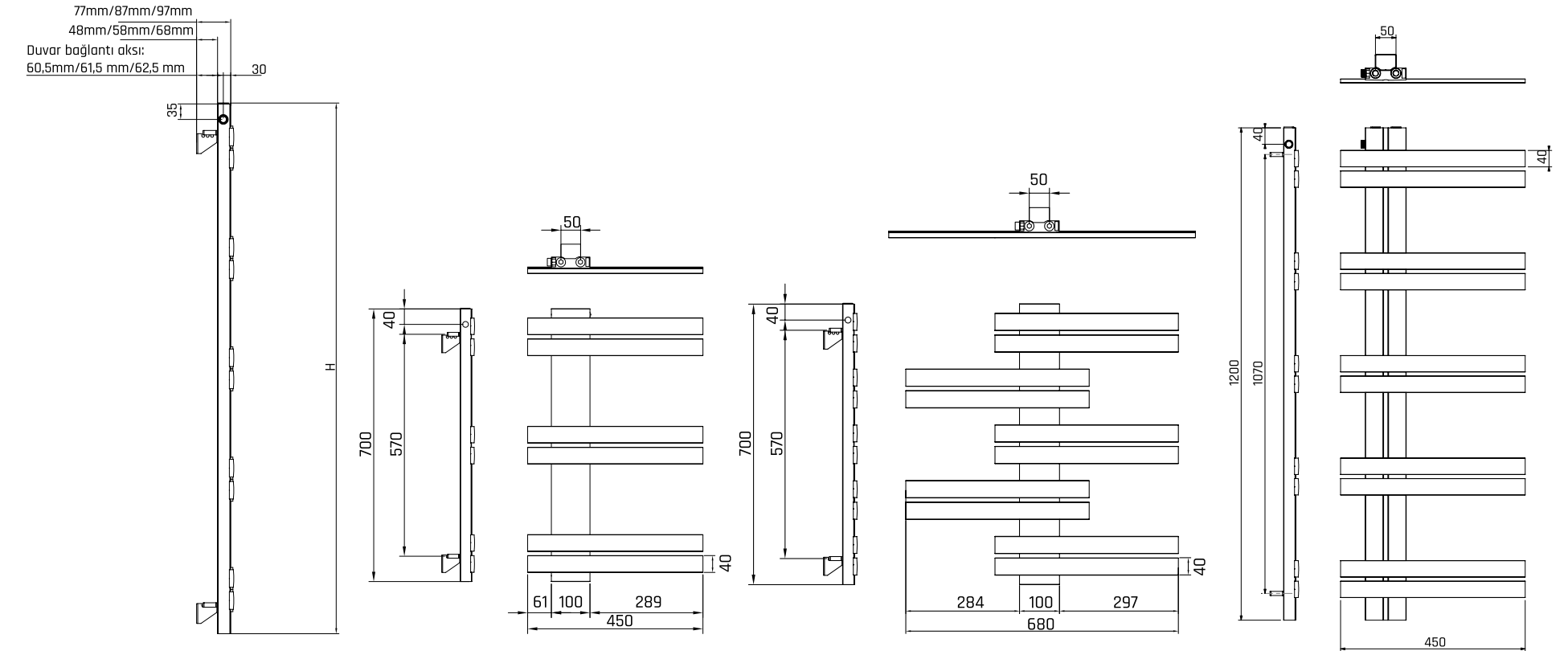
Piano Black



QUUP

Guardian Technic

PIPE QTY	WIDTH (mm)	HEIGHT (h) (mm)	R1 (mm)	ELECTRICAL KIT (mm)	POWER ΔT50 (HYDRONIC) (watt)	PIPE WEIGHT (kg)
6	450 mm	700 mm	50 mm	600 W	250 W	6,0 kg
12	680 mm	700 mm	50 mm	600 W	250 W	8,6 kg
10	450 mm	1200 mm	50 mm	600 W	430 W	10,2 kg



QUUP

VECTOR

ALUMINIUM DECORATIVE TOWEL WARMER

Vector aluminium decorative towel warmer has been designed to provide traditional tower warmer usage advantages while ensuring balance in performance and design.

www.quupheating.com

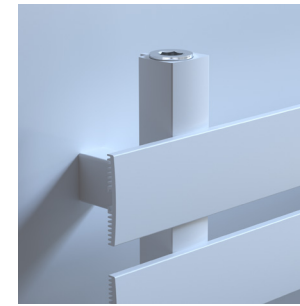




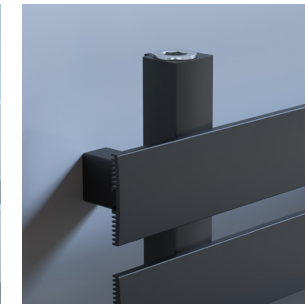
QUUP

Vector Colors

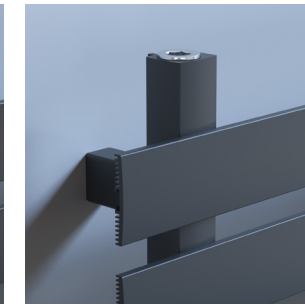
Electrostatic Powder Coating



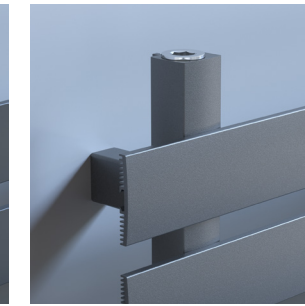
Pearl White



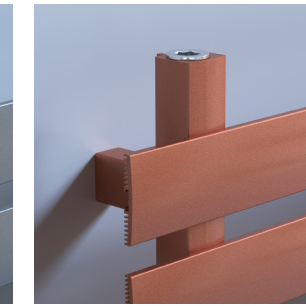
Matte Black



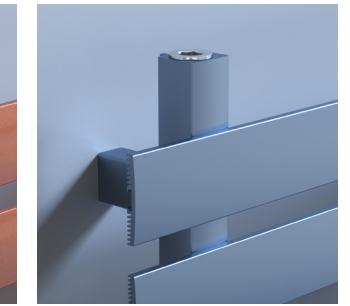
Anthracite



Granite

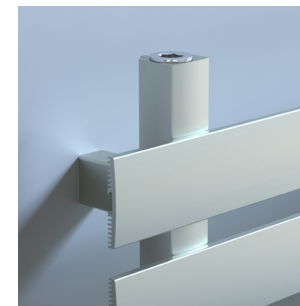


Rose

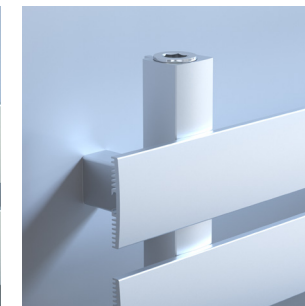


Sky Blue

Anodized



Inox



Space Grey



Gold



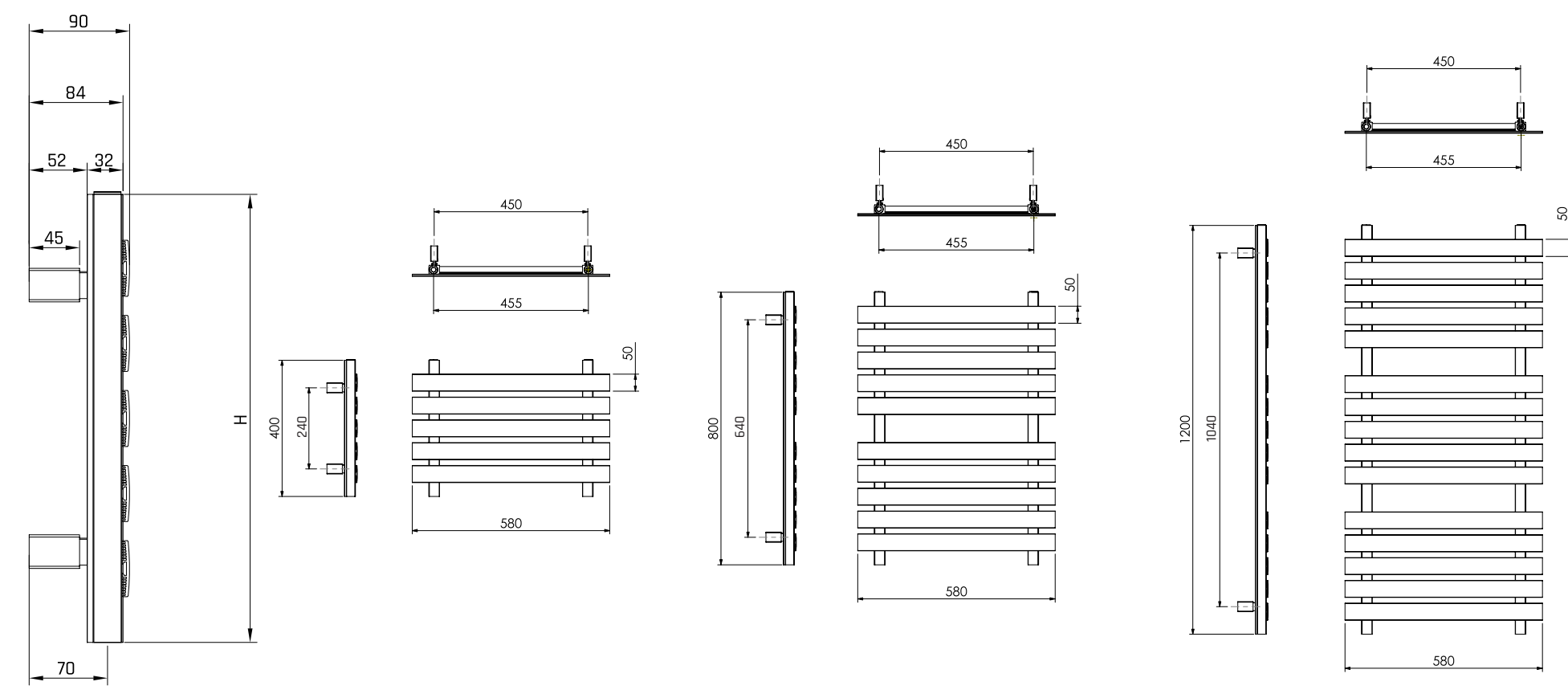
Piano Black



QUUP

Vector Technic

PIPE QTY	WIDTH (mm)	HEIGHT (h) (mm)	R1 (mm)	ELECTRICAL KIT (mm)	POWER ΔT50 (HYDRONIC) (watt)	PIPE WEIGHT (kg)
5	580 mm	400 mm	455 mm	200 W	242 W	3,8 kg
10	580 mm	800 mm	455 mm	400 W	442 W	7,4 kg
15	580 mm	1200 mm	455 mm	600 W	650 W	11,0 kg



QUUP

BOLD

ALUMINIUM DECORATIVE TOWEL WARMER

Spark Bold aluminium towel warmer has been developed to add value to your bathrooms while making your life easier

www.quupheating.com



82





QUUP

Bold Colors

Electrostatic Powder Coating



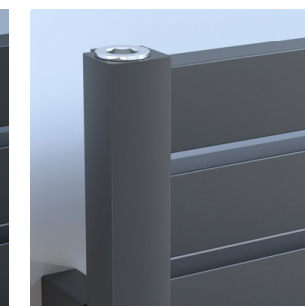
Pearl White



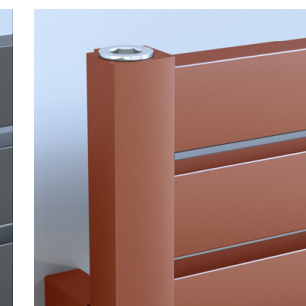
Matte Black



Anthracite



Granite



Rose



Sky Blue

Anodized



Inox



Space Grey



Gold



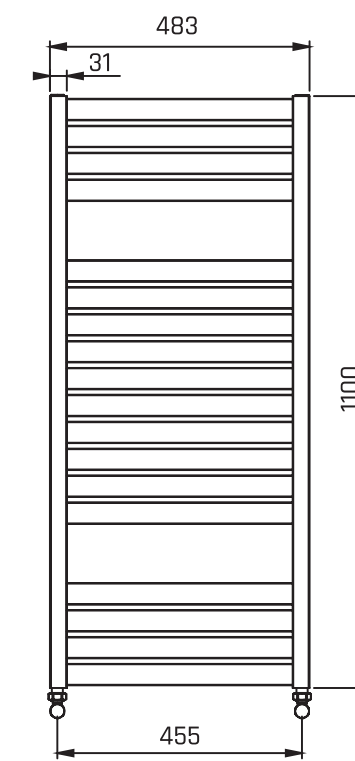
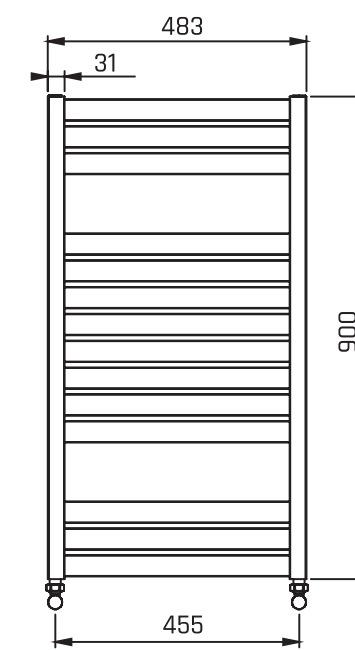
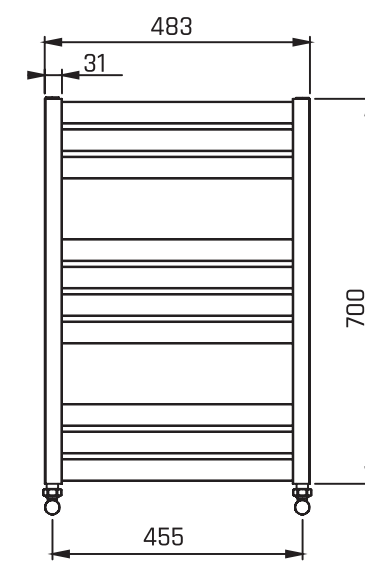
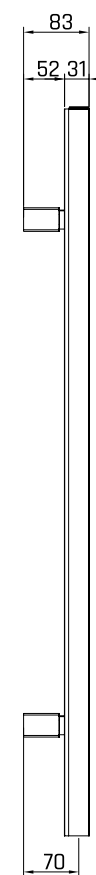
Piano Black



QUUP

Bold Technic

PIPE QTY	WIDTH (mm)	HEIGHT (h) (mm)	R1 (mm)	ELECTRICAL KIT (mm)	POWER ΔT50 (HYDRONIC) (watt)	PIPE WEIGHT (kg)
10	480 mm	700 mm	455 mm	200 W	293 W	4,9 kg
14	480 mm	900 mm	455 mm	400 W	368 W	6,6 kg
18	480 mm	1100 mm	455 mm	400 W	476 W	8,3 kg



QUUP

SPARK

ALUMINIUM DECORATIVE TOWEL WARMER

Spark aluminium decorative towel warmer has been developed to add value to your bathrooms while making your life easier.

www.quupheating.com



88

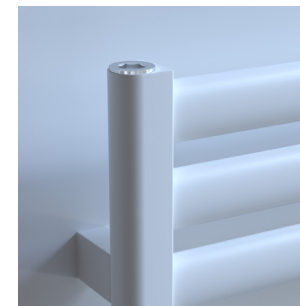




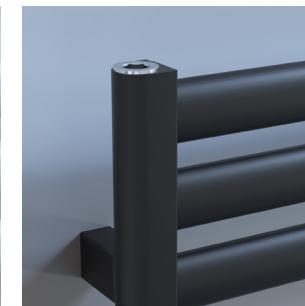
QUUP

Spark Colors

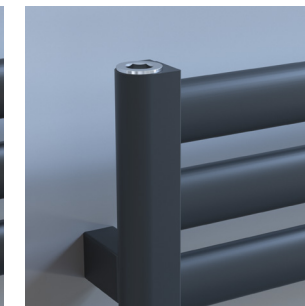
Electrostatic Powder Coating



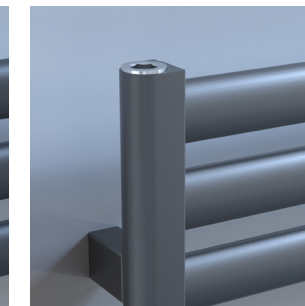
Pearl White



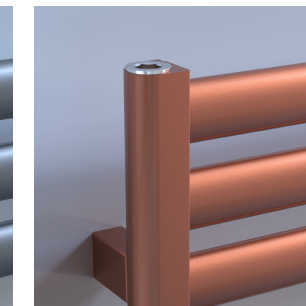
Matte Black



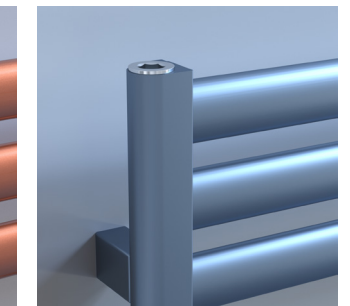
Anthracite



Granite

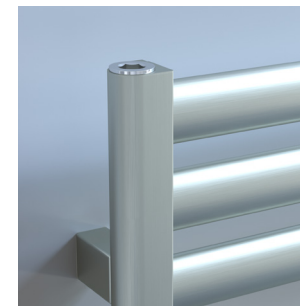


Rose

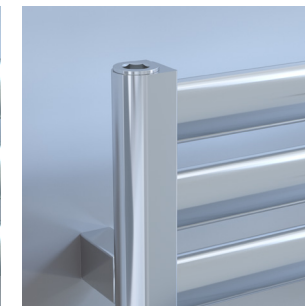


Sky Blue

Anodized



Inox



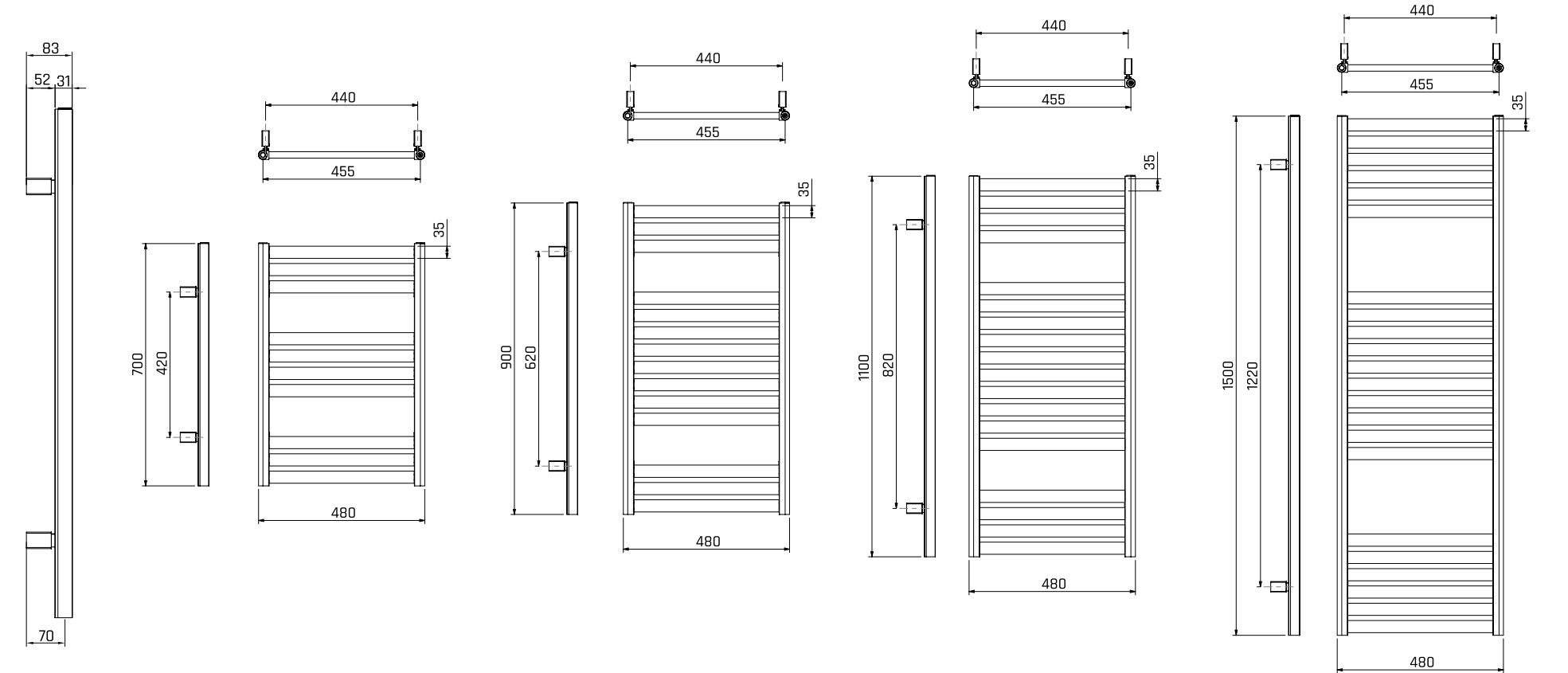
Space Grey



QUUP

Spark Technic

PIPE QTY	WIDTH (mm)	HEIGHT (h) (mm)	R1 (mm)	ELECTRICAL KIT (mm)	POWER ΔT50 (HYDRONIC) (watt)	PIPE WEIGHT (kg)
10	480 mm	700 mm	455 mm	200 W	293 W	4,5 kg
14	480 mm	900 mm	455 mm	400 W	368 W	6,0 kg
18	480 mm	1100 mm	455 mm	400 W	476 W	7,5 kg
22	480 mm	1500 mm	455 mm	600 W	582 W	9,6 kg



quup

HEATING SYSTEMS

EN ^{EUROFORM} 442

BSRIA

CE

TSE

5 YIL
GARANTİ
2013-2018

Atatürk Mah. Orhan Veli Cad. No: 7-9 34522 Kıraç /Esenyurt / Istanbul / TURKEY

+90 212 886 55 77

www.quupheating.com / info@quupheating.com